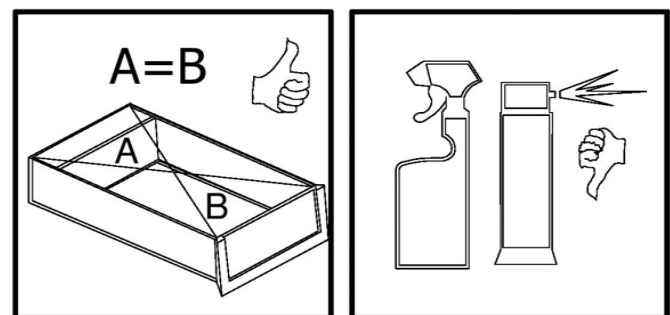
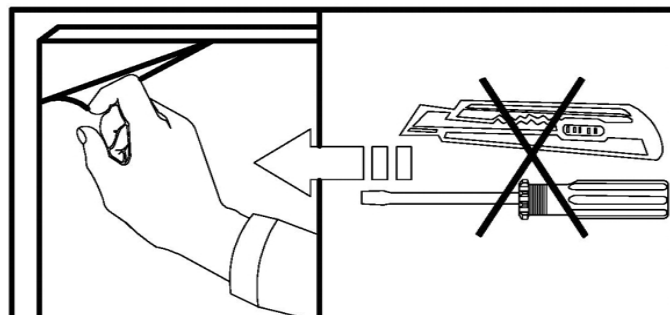
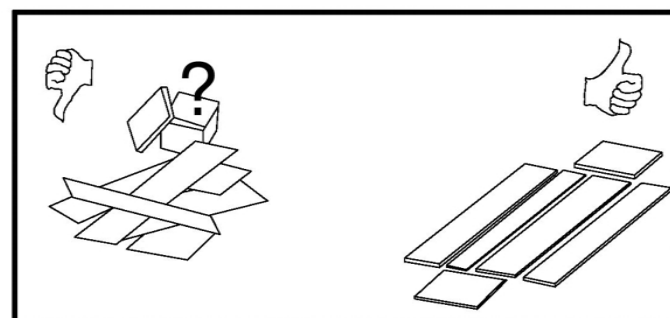
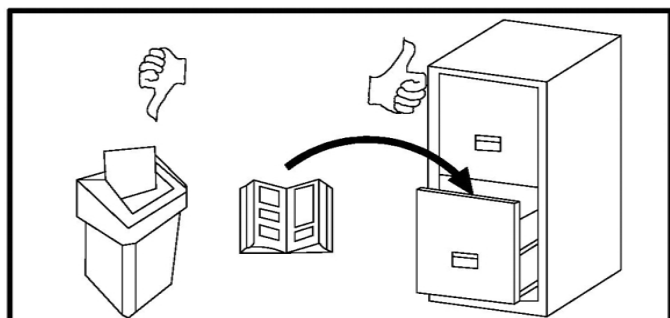
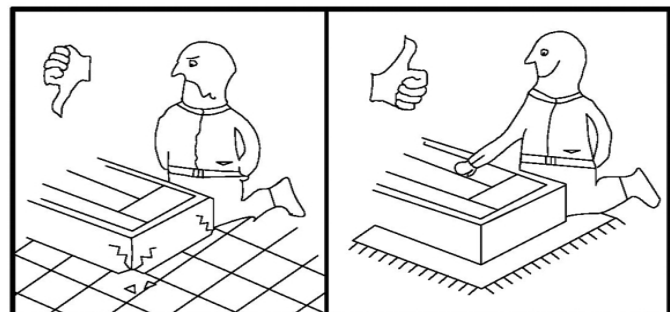
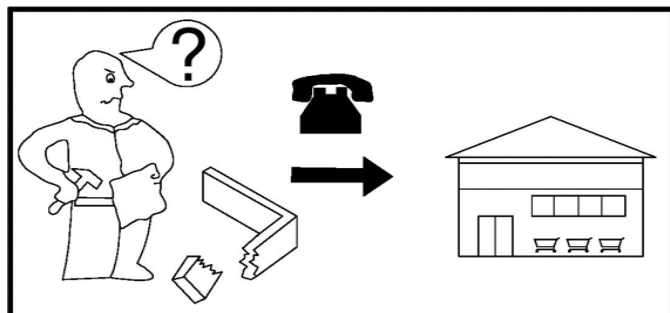
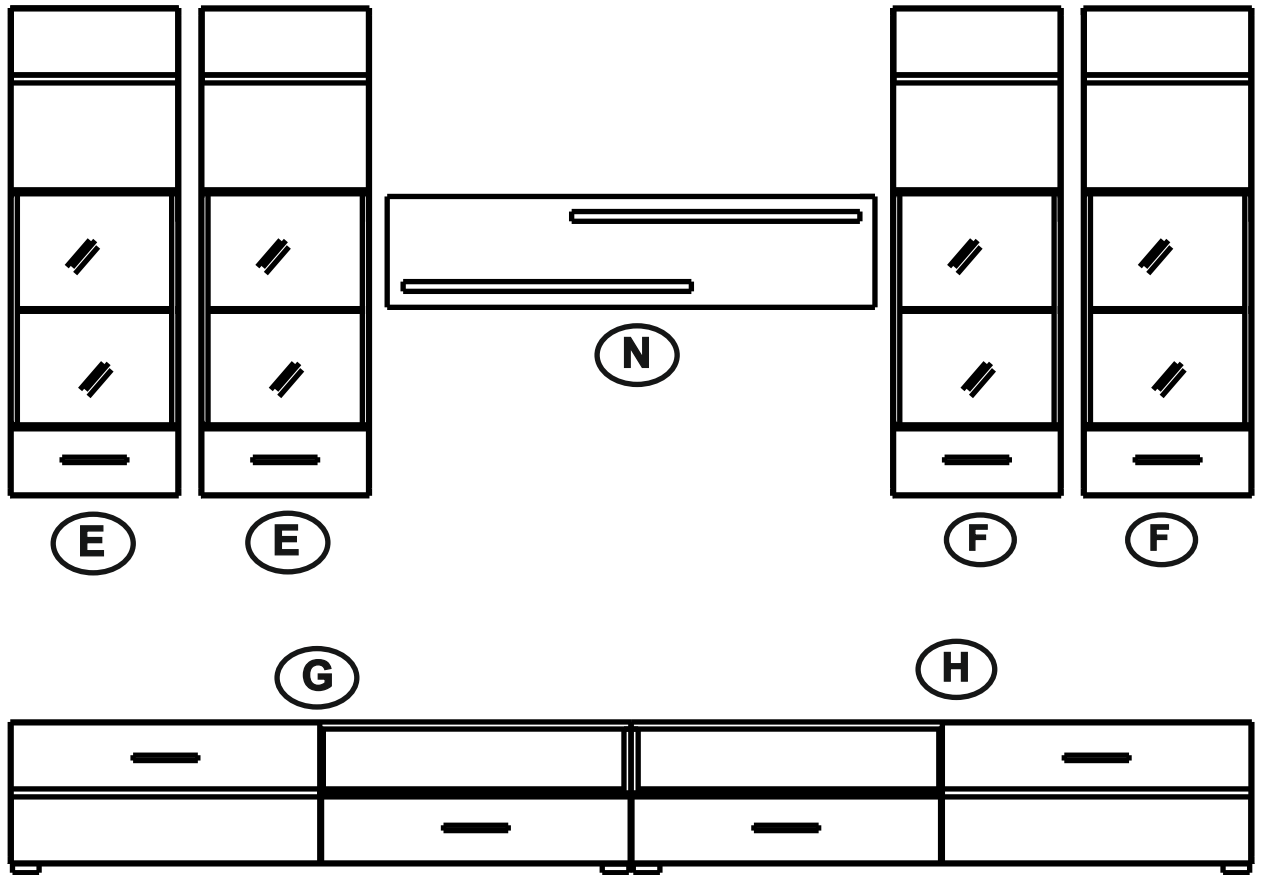
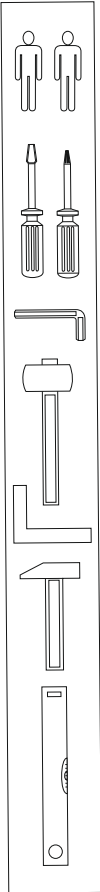


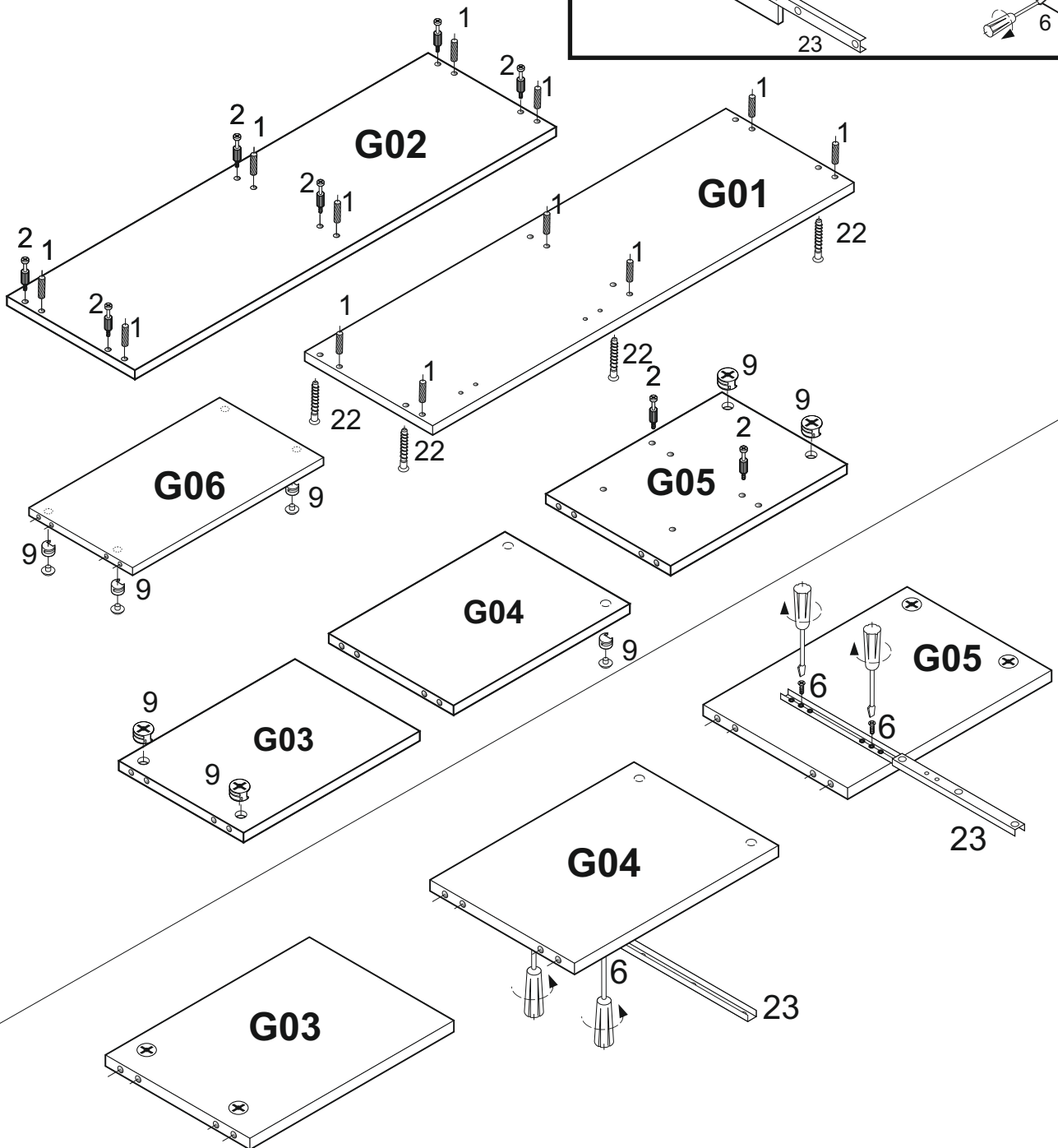
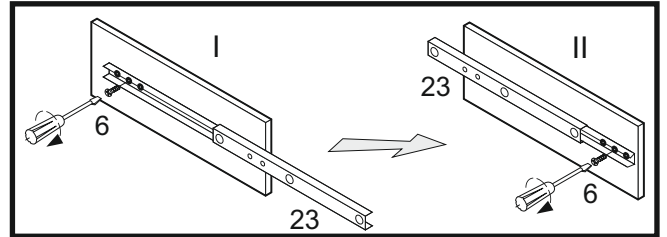
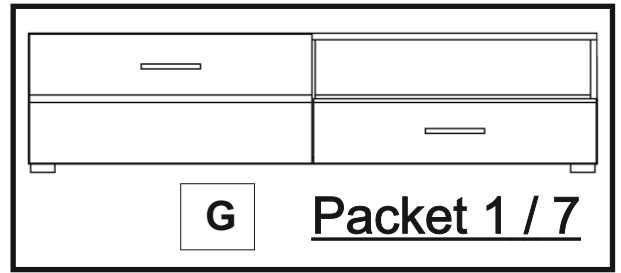
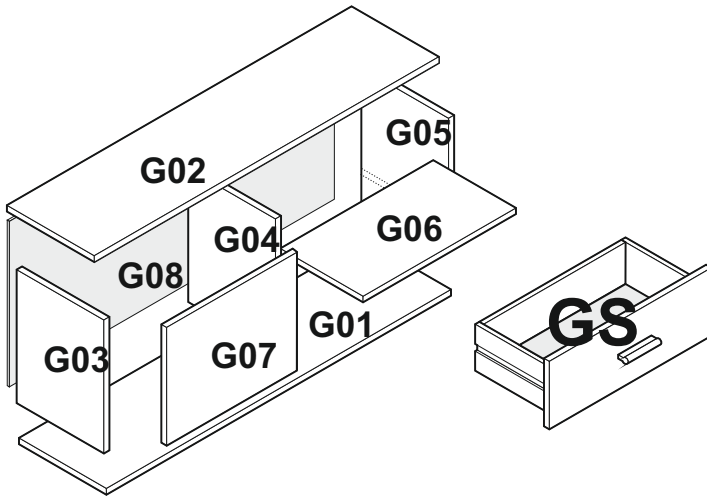


No.	Dimensions		Quantity	Colli No.
G01	1401	413	1	1 / 7
G02	1401	413	1	1 / 7
G03	288	413	1	1 / 7
G04	288	413	1	1 / 7
G05	288	413	1	1 / 7
G06	675	413	1	1 / 7
G07	316	696	1	1 / 7
S01	375	100	1	1 / 7
S03	375	100	1	1 / 7
S02	643	85	1	1 / 7
GS4	696	156	1	1 / 7
S05	655	378	1	1 / 7
G08	1395	315	1	1 / 7
H01	1401	413	1	2 / 7
H02	1401	413	1	2 / 7
H03	288	413	1	2 / 7
H04	288	413	1	2 / 7
H05	288	413	1	2 / 7
H06	675	413	1	2 / 7
H07	316	696	1	2 / 7
H08	1395	315	1	2 / 7
S01	375	100	1	2 / 7
S03	375	100	1	2 / 7
S02	643	85	1	2 / 7
HS4	696	156	1	2 / 7
S05	655	378	1	2 / 7
E01	347	294	2+2	3/7 + 4/7
E02	340	280	1+1	3/7 + 4/7
E03	1100	314	1+1	3/7 + 4/7
E04	1100	314	1+1	3/7 + 4/7
E06	347	280	1+1	3/7 + 4/7
E05	1094	357	1+1	3/7 + 4/7
E07	418	376	1+1	3/7 + 4/7
E09	582	342	1+1	3/7 + 4/7
E10	156	376	1+1	3/7 + 4/7
E01	347	294	2+2	5/7 + 6/7
E02	340	280	1+1	5/7 + 6/7
E03	1100	314	1+1	5/7 + 6/7
E04	1100	314	1+1	5/7 + 6/7
E06	347	280	1+1	5/7 + 6/7
E05	1094	357	1+1	5/7 + 6/7
F07	418	376	1+1	5/7 + 6/7
E09	582	342	1+1	5/7 + 6/7
F10	156	376	1+1	5/7 + 6/7
N01	250	1100	1	7 / 7
N02	650	220	2	7 / 7

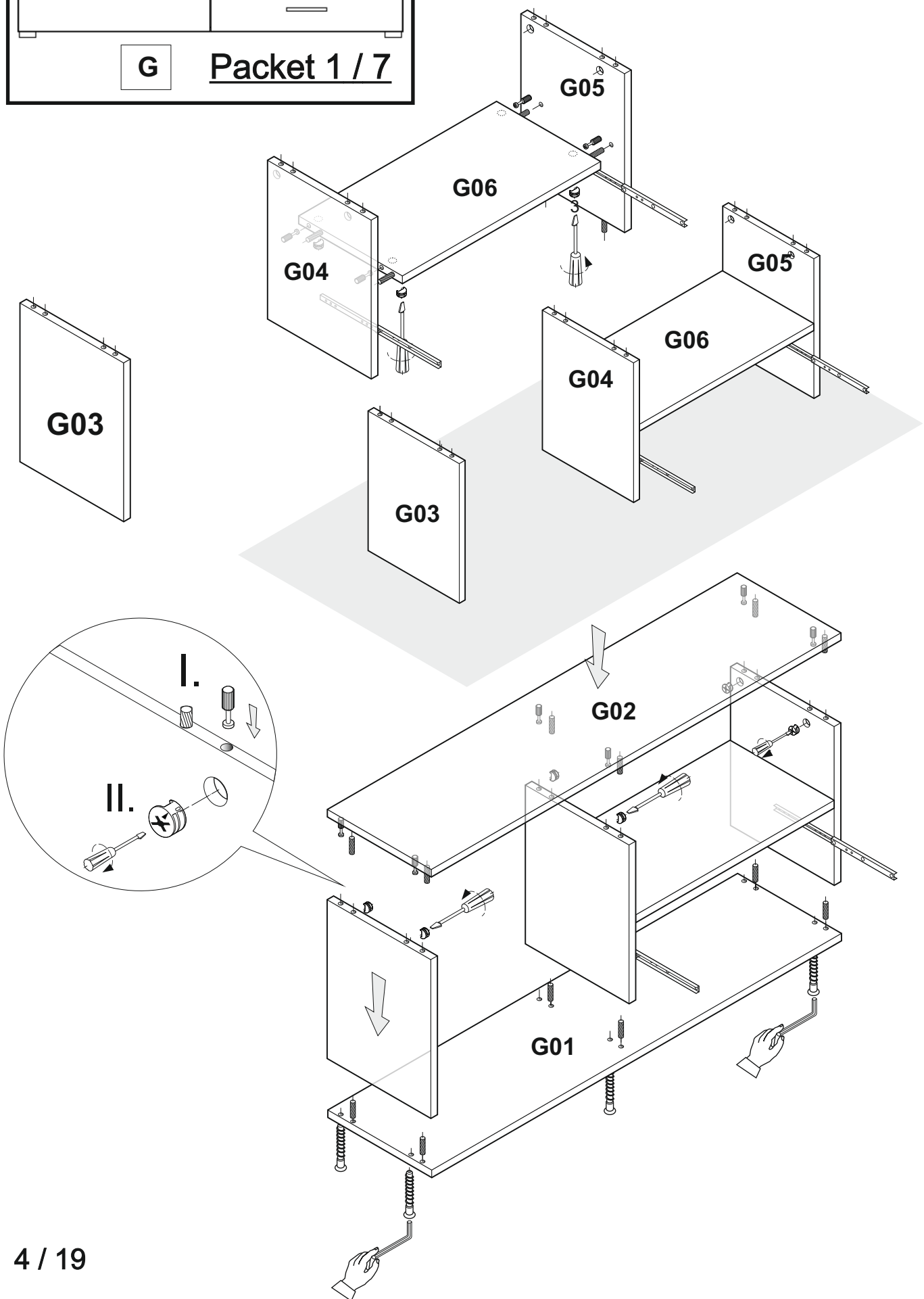


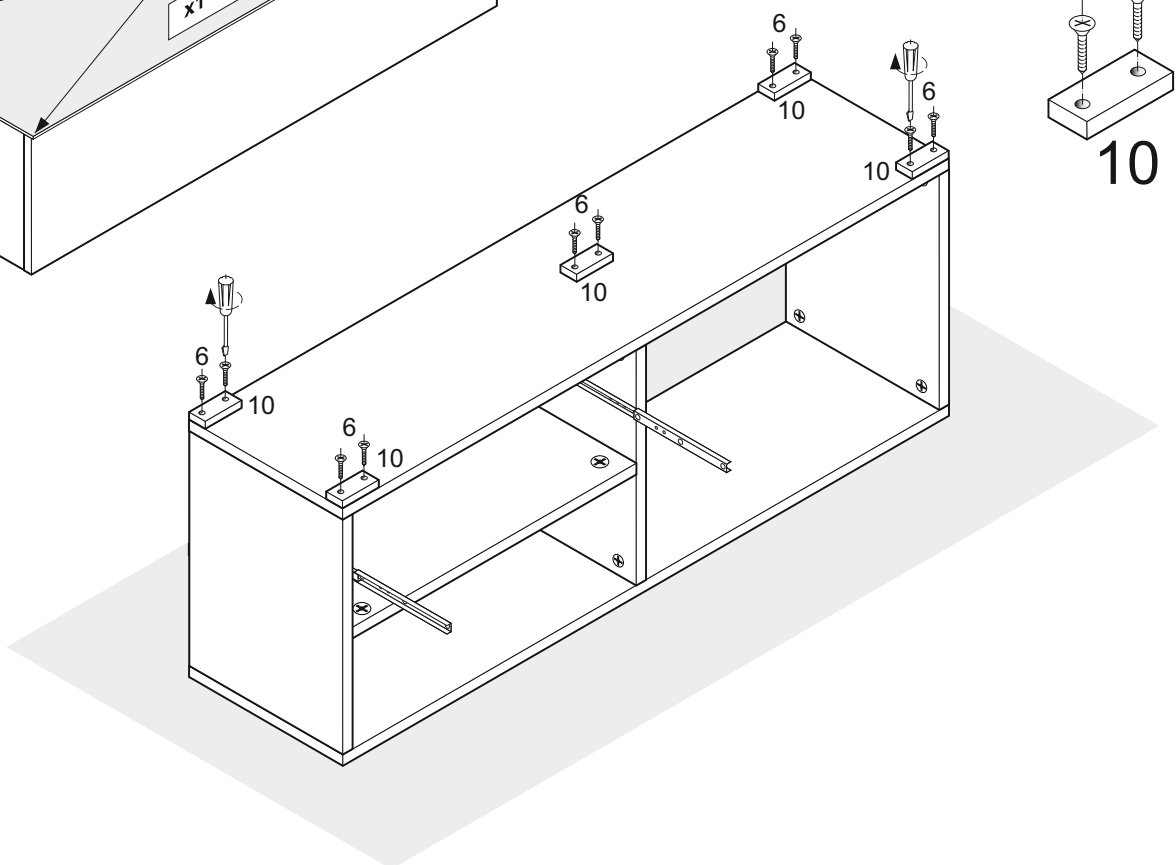
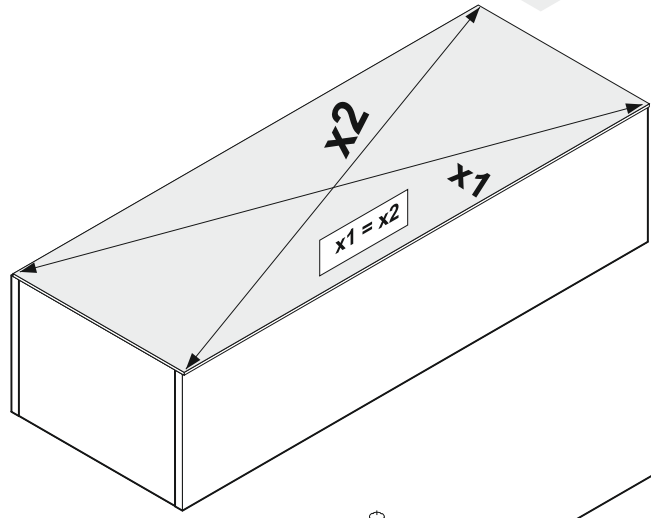
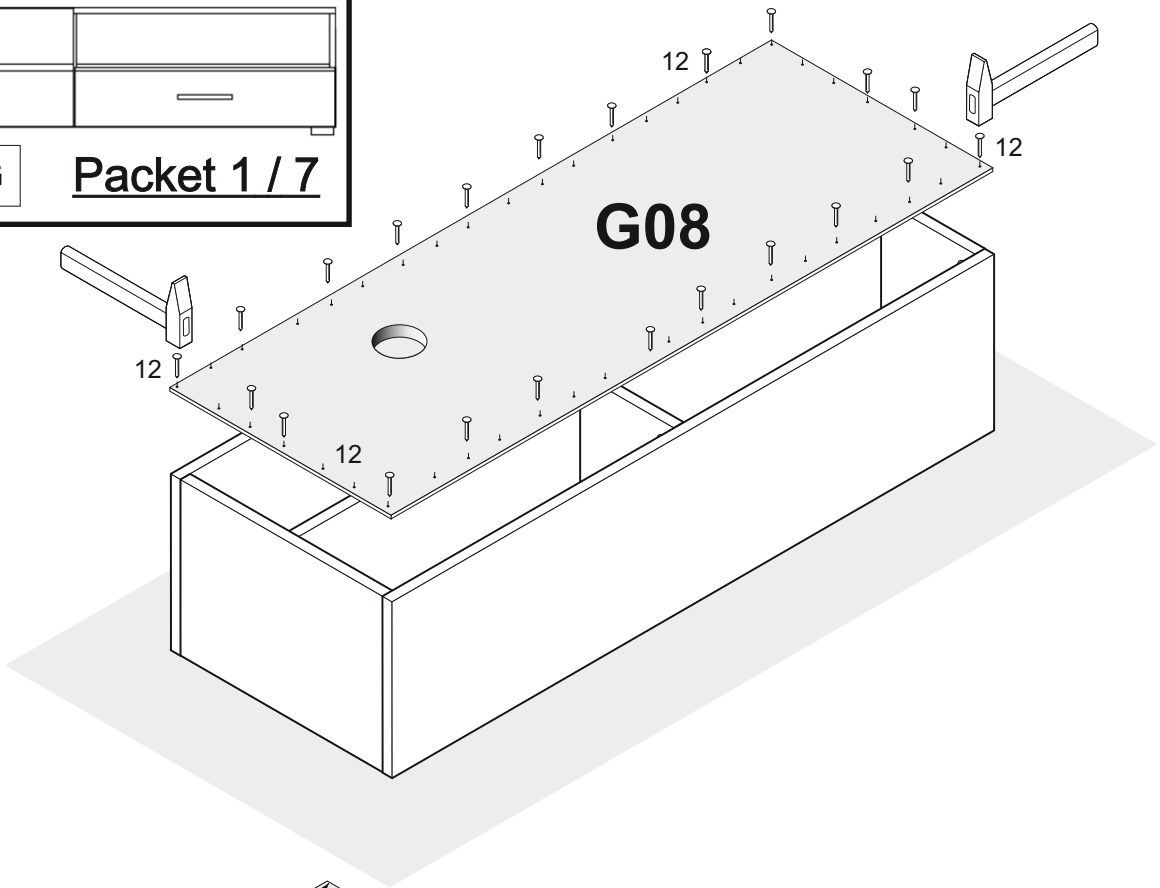
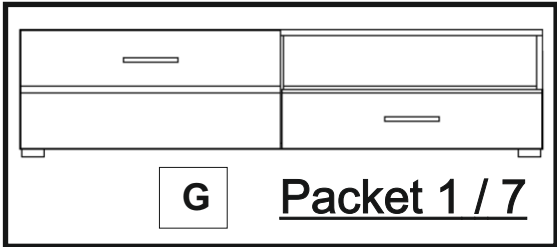


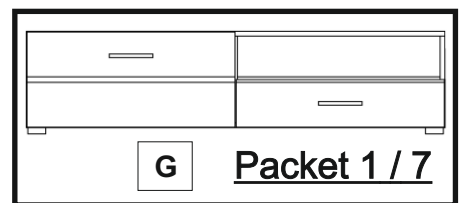
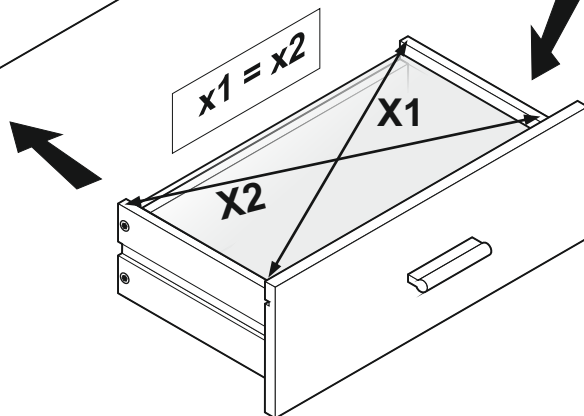
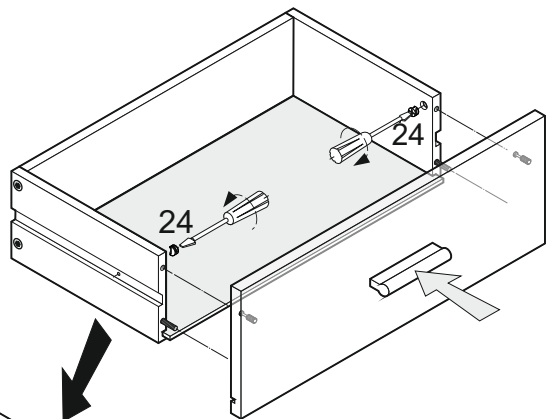
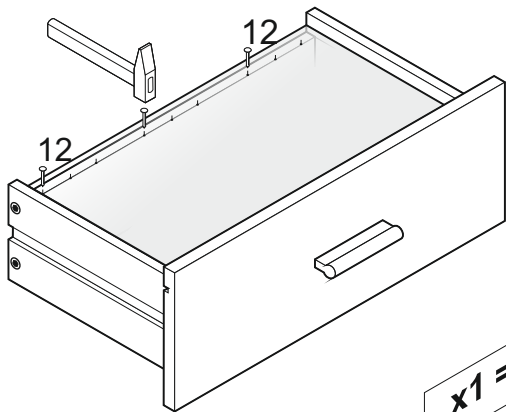
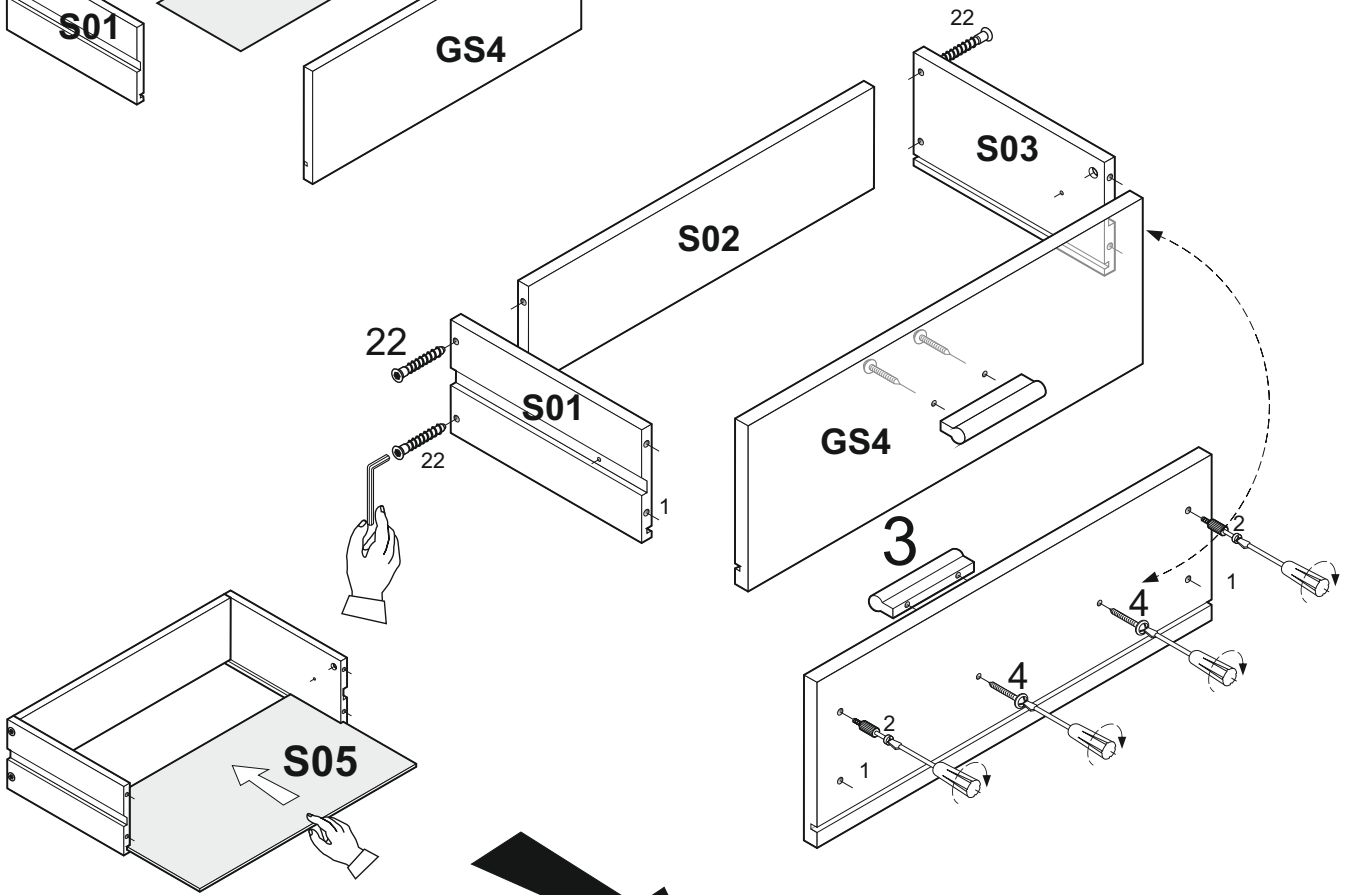
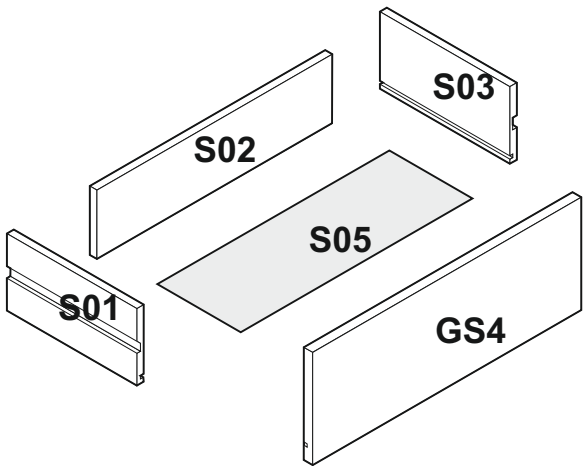
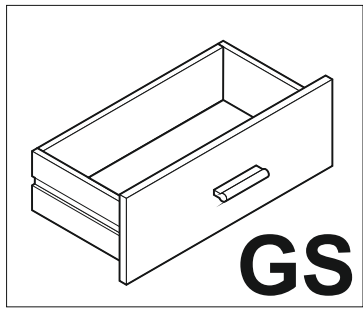
1	X 64	10	X 10	12	X 150	17	X 4
2	X 56	14	X 16	13	X 16	18	X 4
3	X 8	36	X 24	72	X 2	21	X 16
5	X 12	9	X 52	22	X 26	23	X 4
25	X 4	9A	X 52	22A	X 26		
4	X 16	26	X 1	24	X 4	7	X 2
6	X 66	30	LED LIGHTS X 1				
4A	X 24	39	X 40			38	X 40
80	X 10						

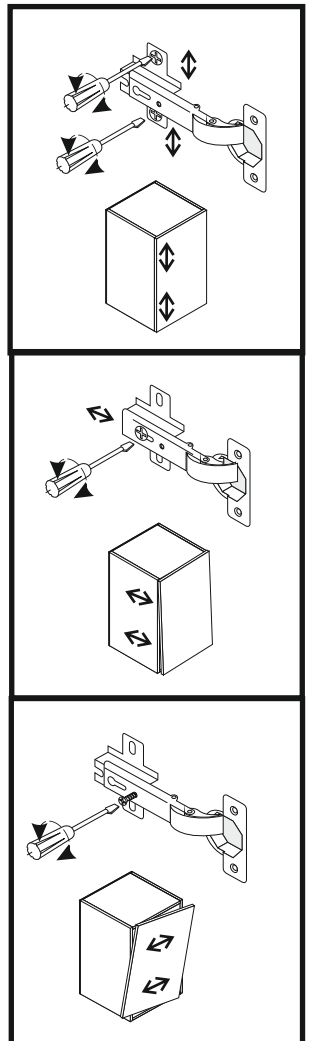
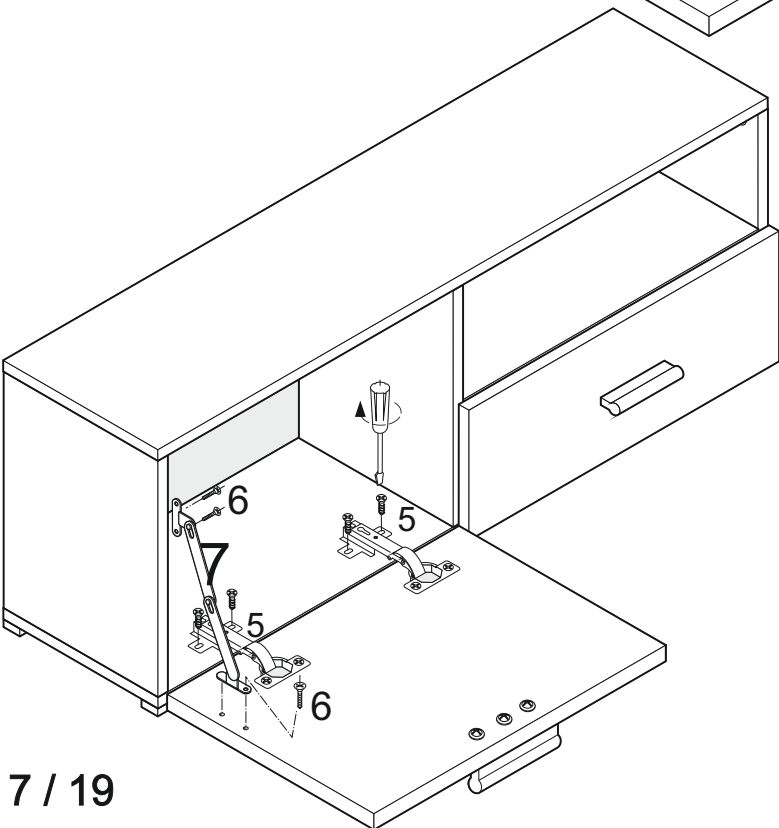
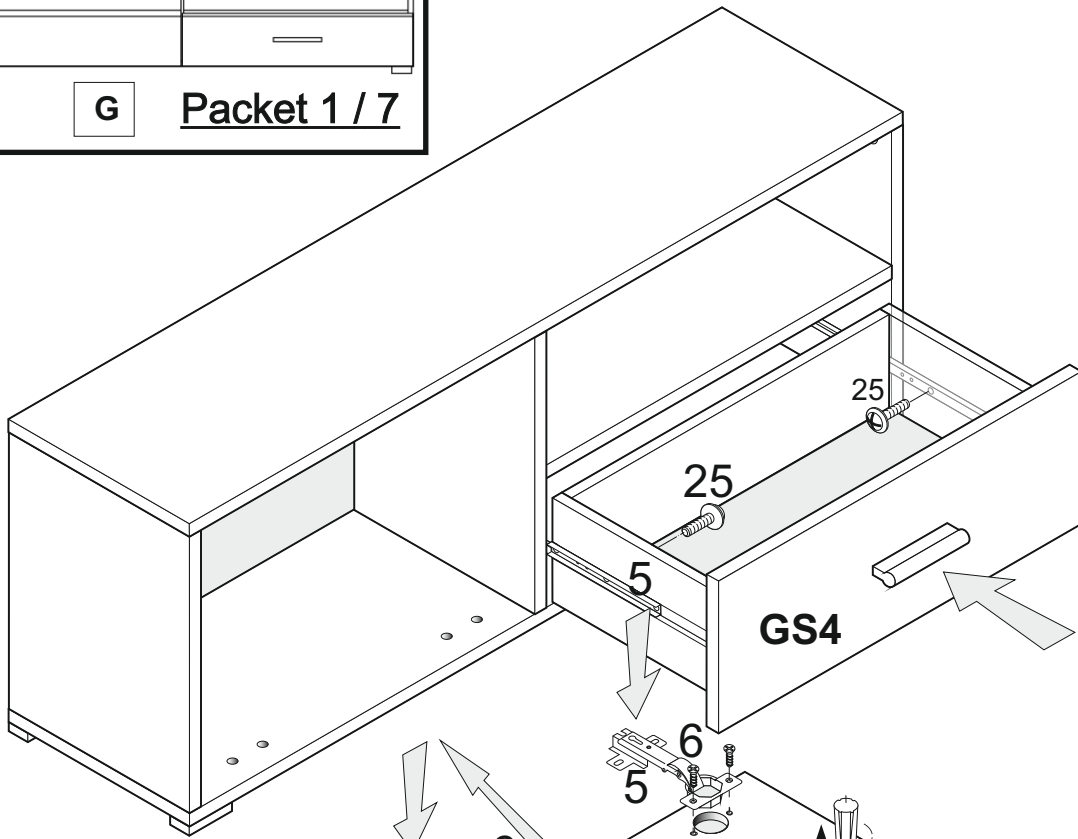
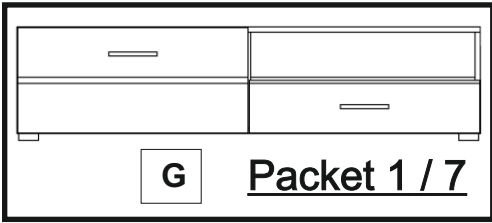


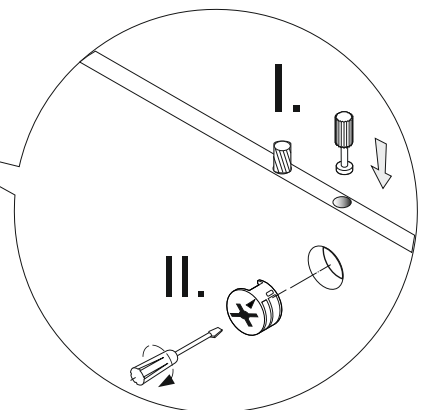
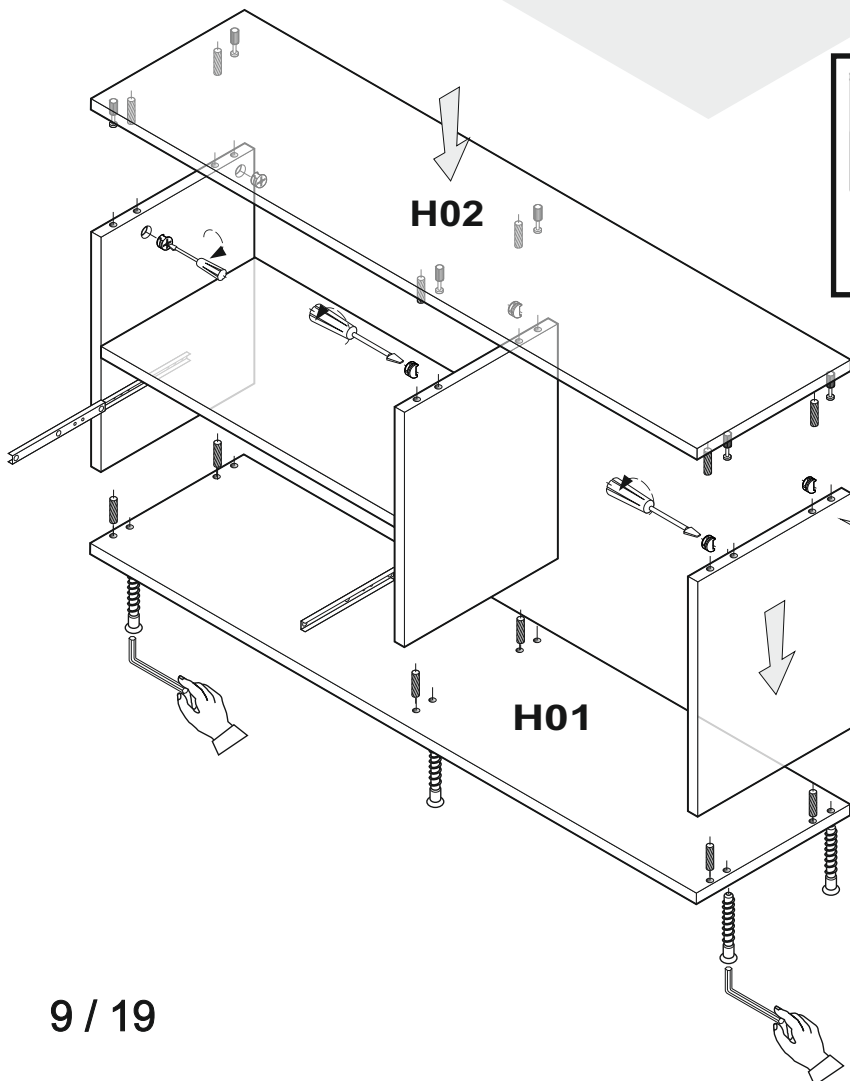
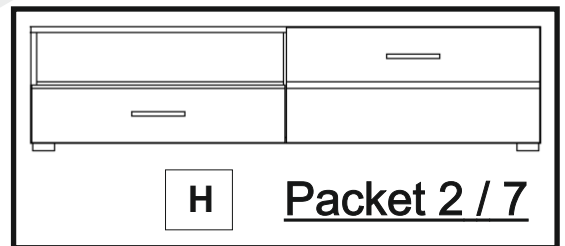
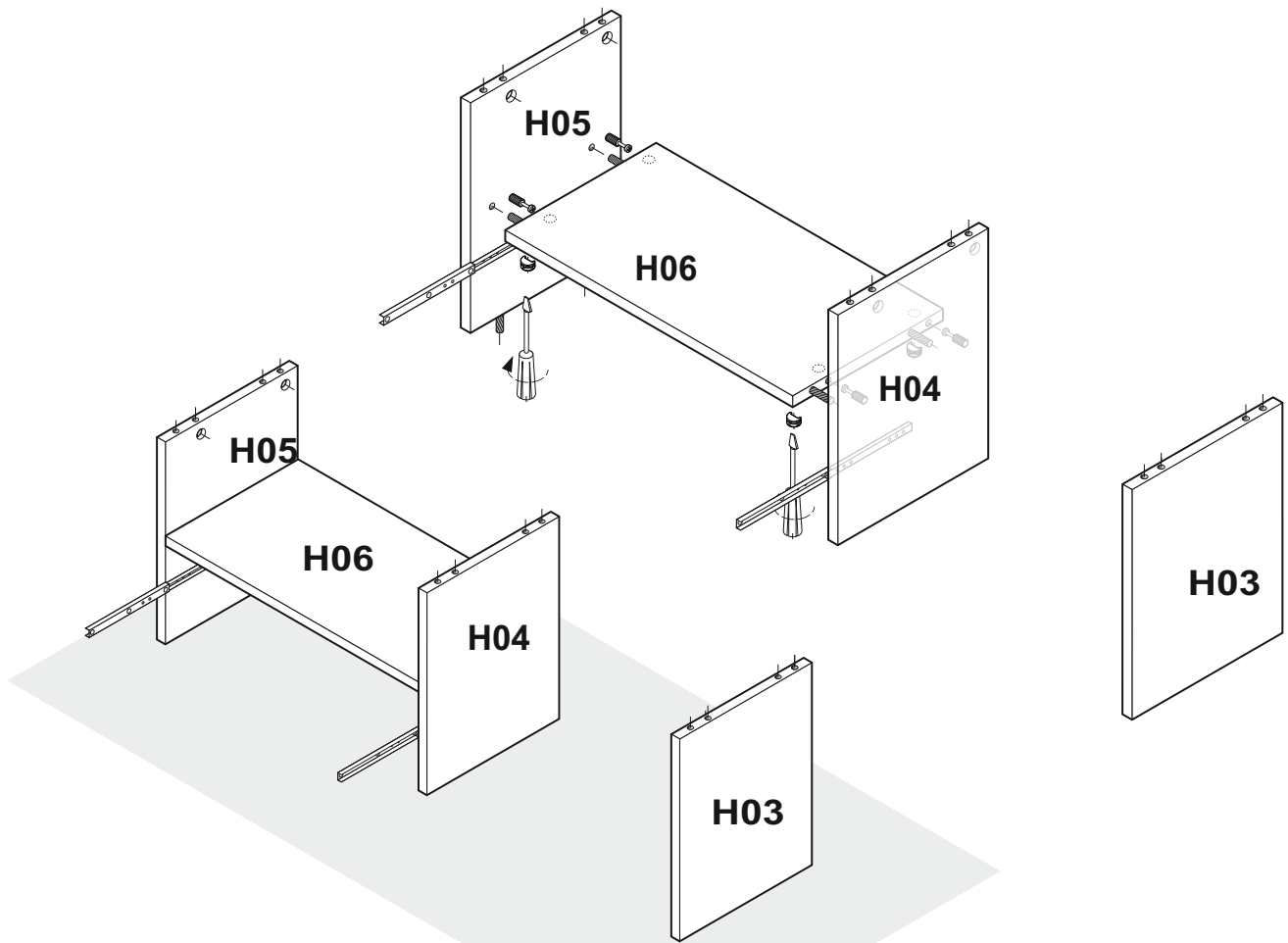
G **Packet 1 / 7**

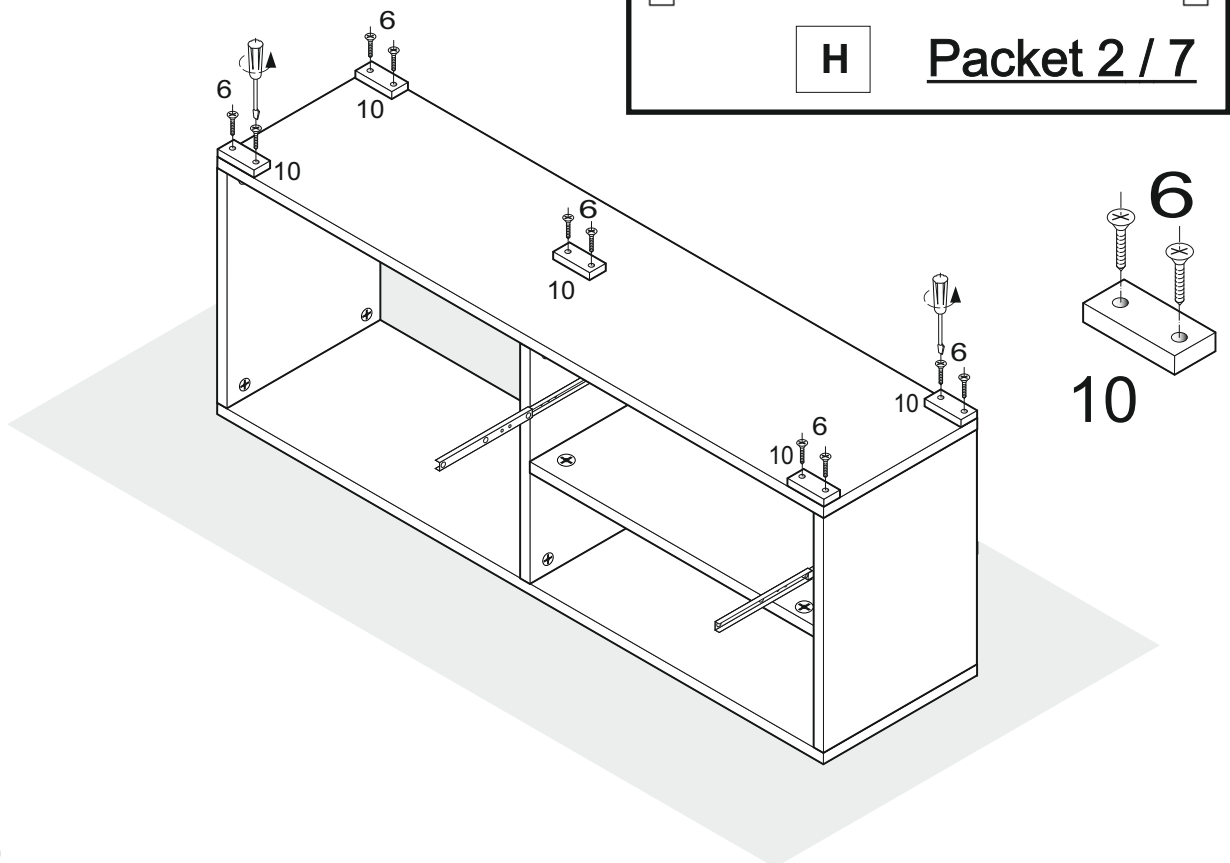
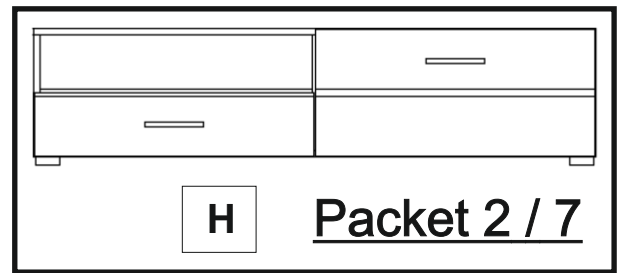
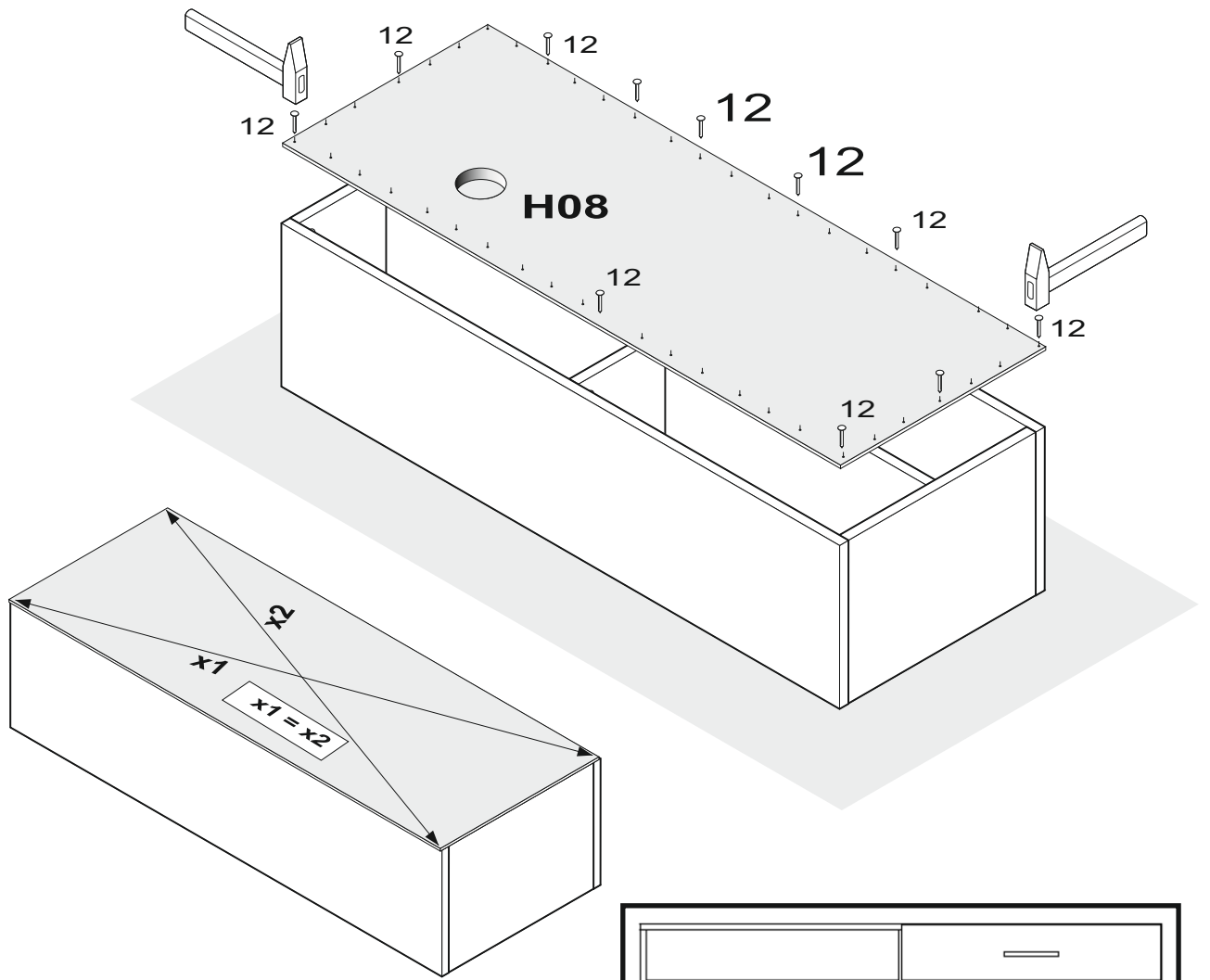




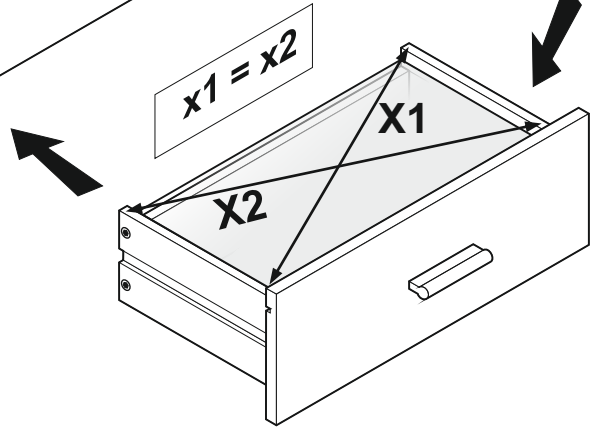
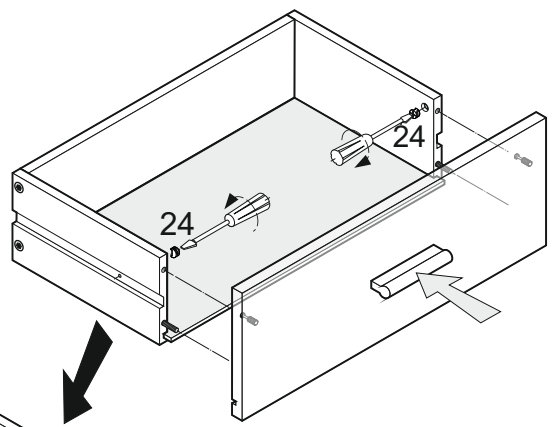
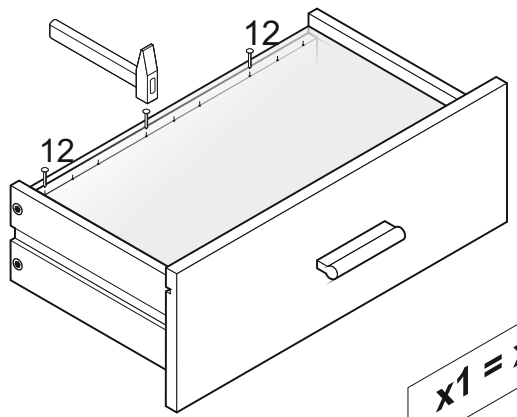
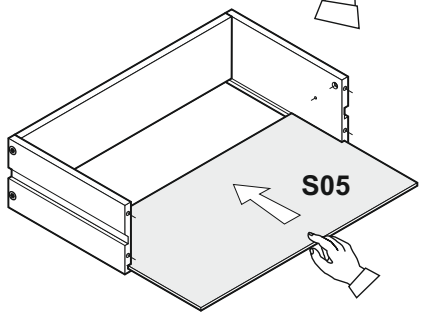
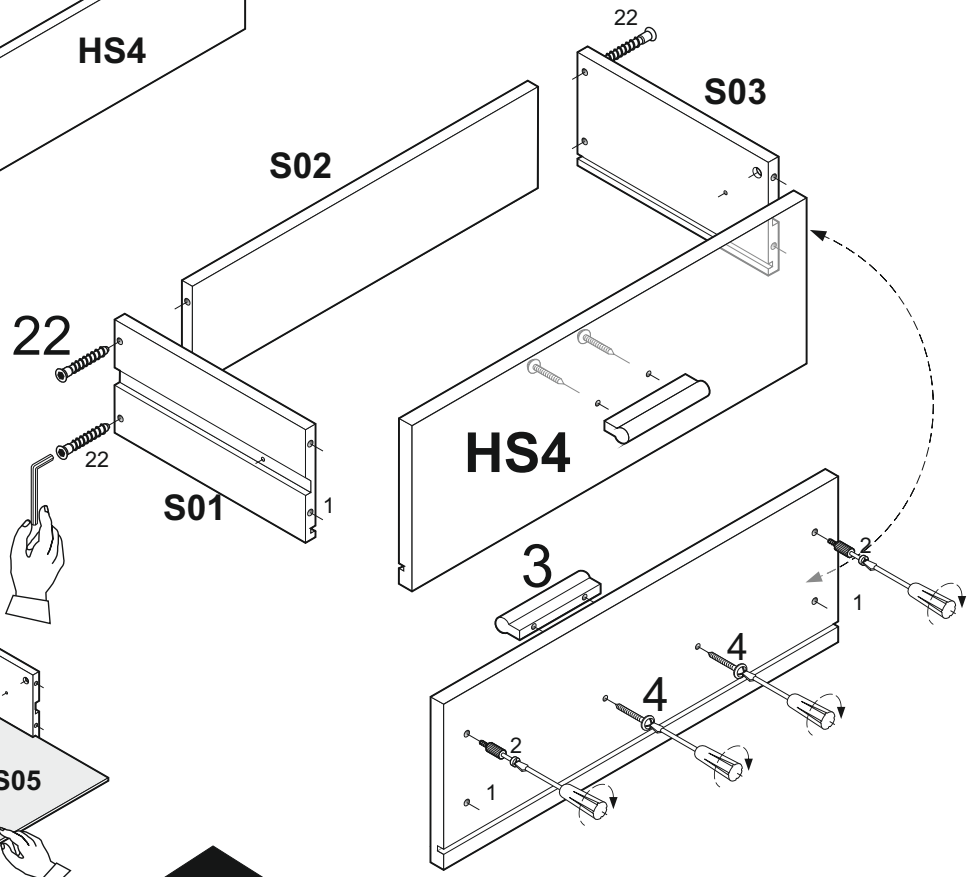
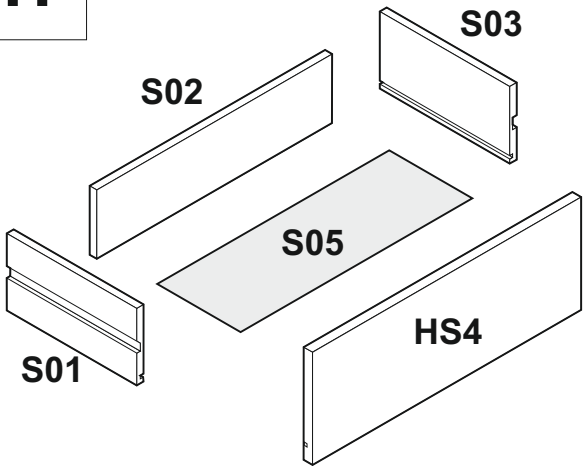
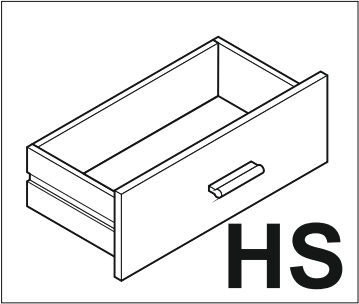


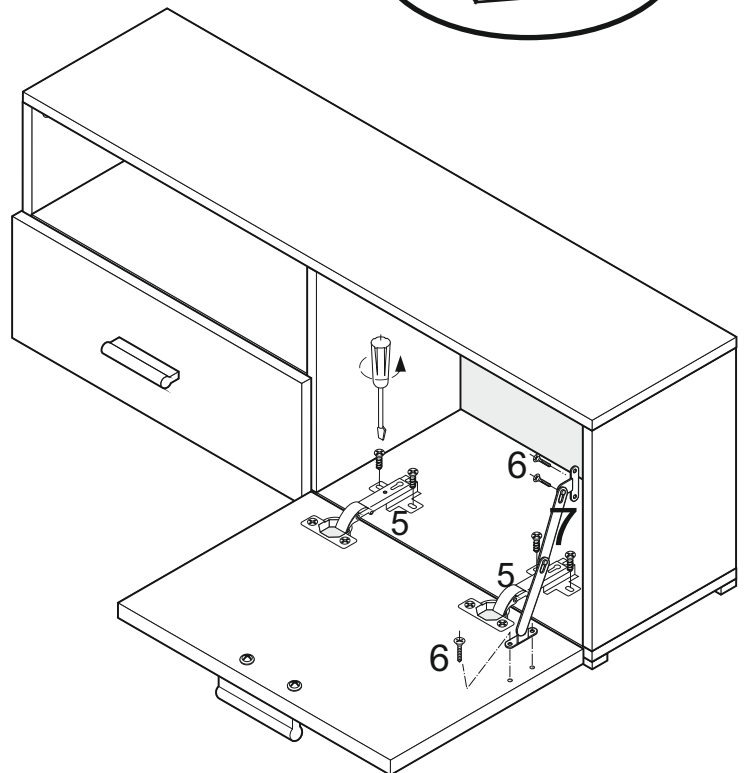
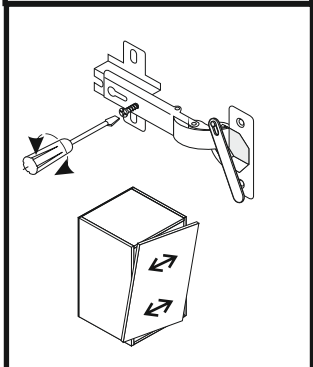
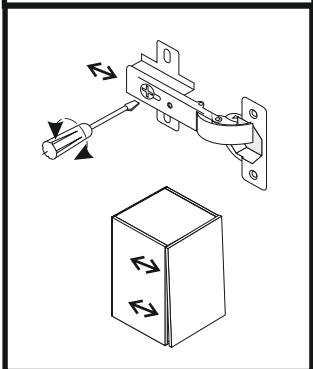
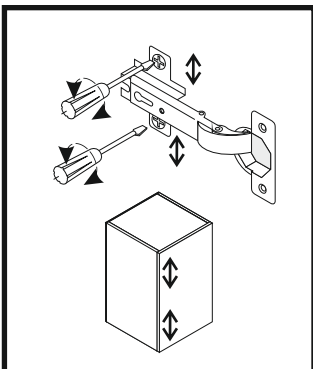
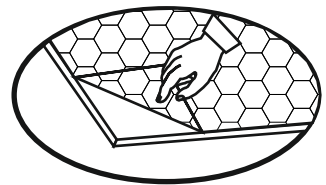
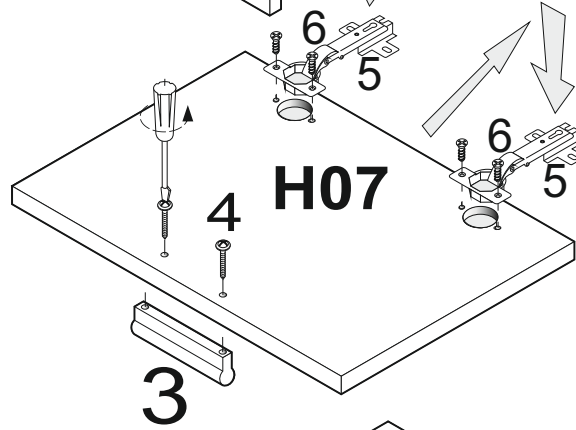
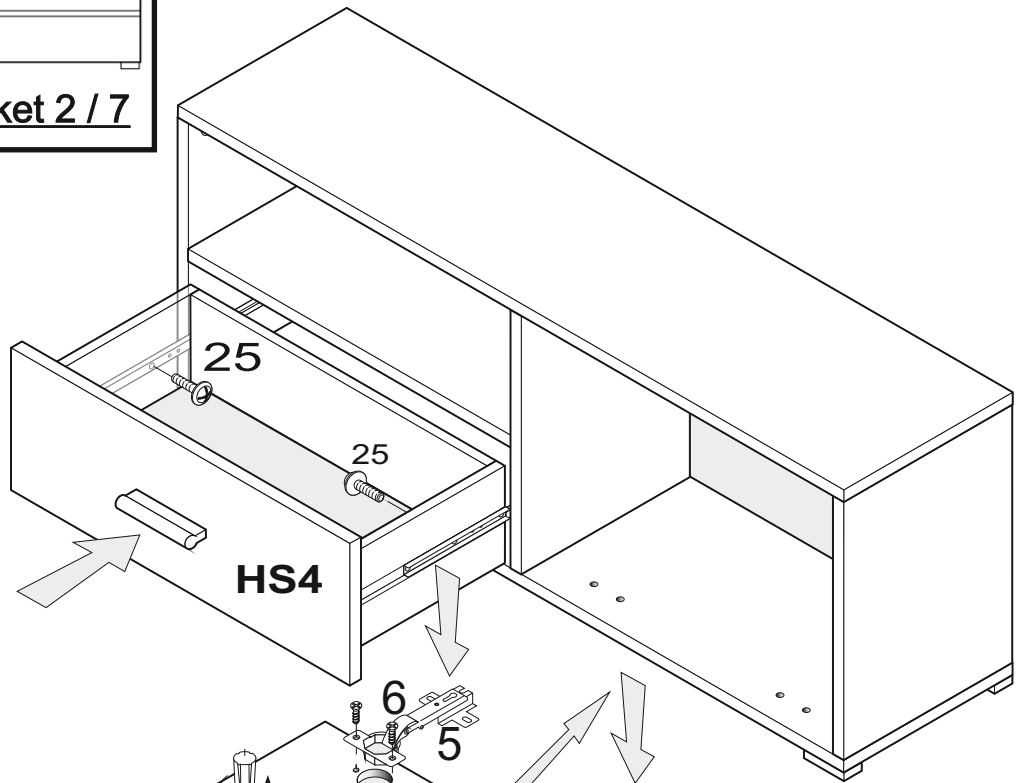
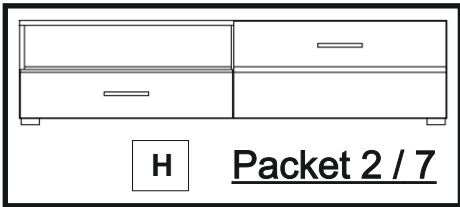


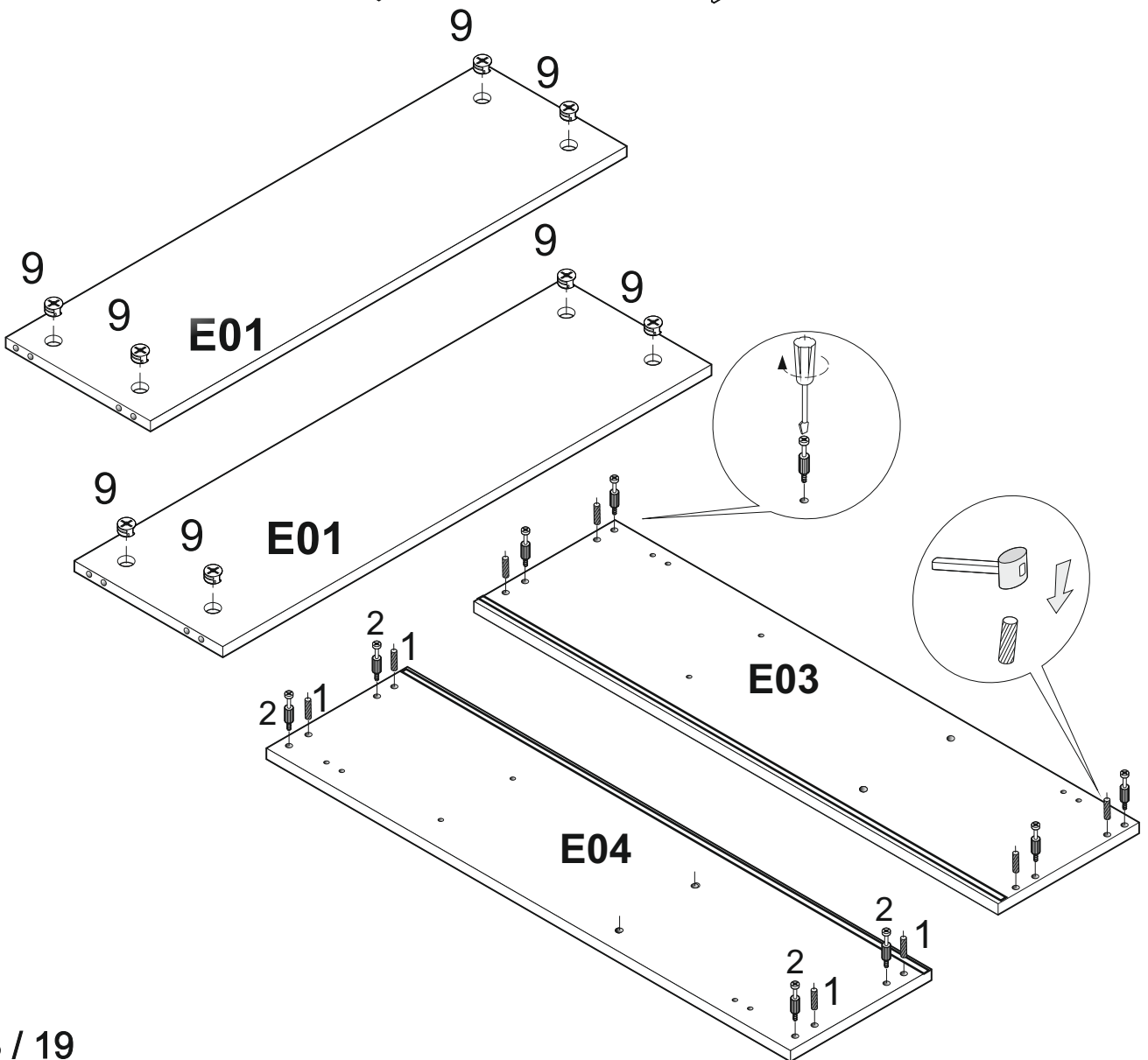
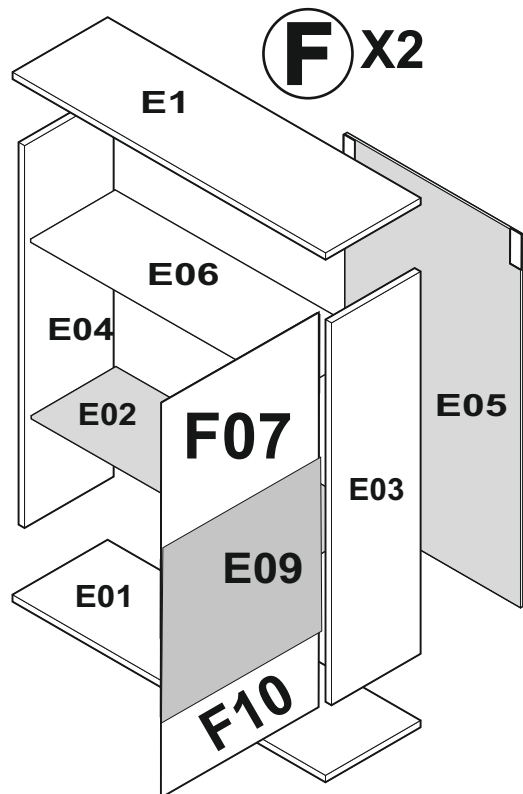
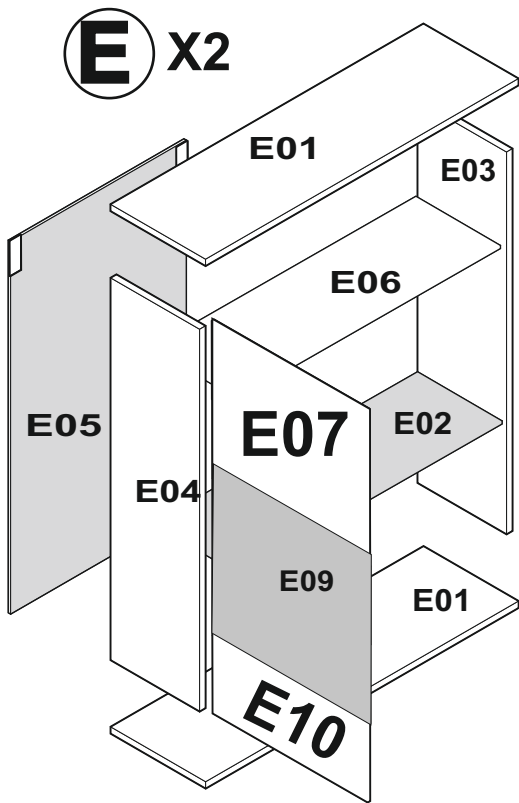




H

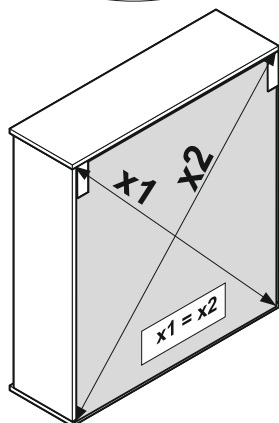
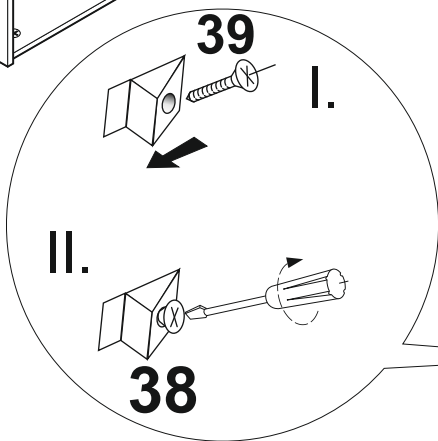
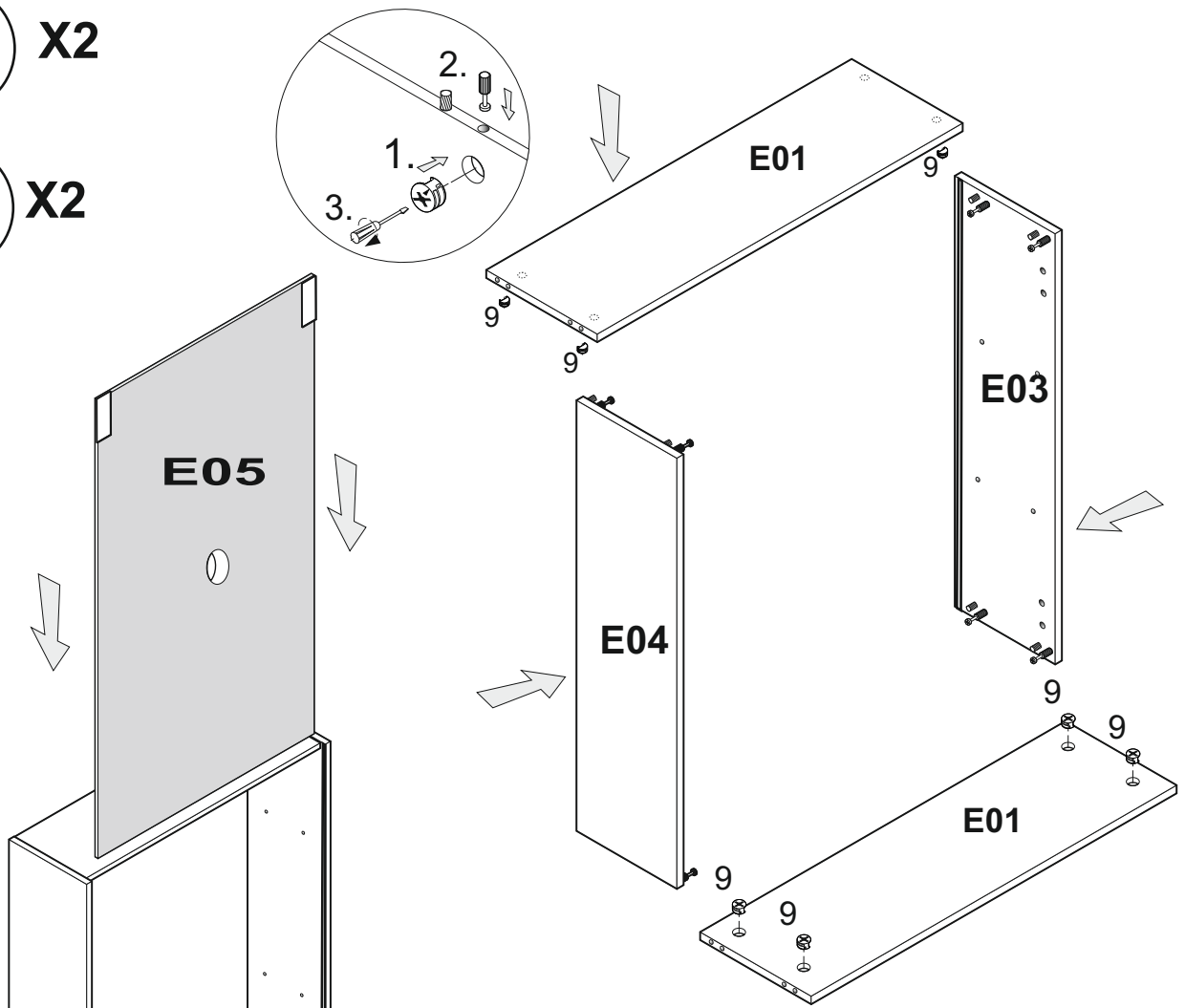


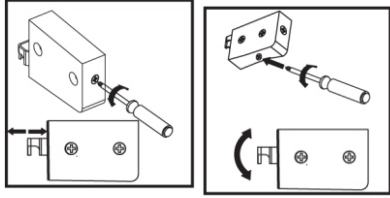
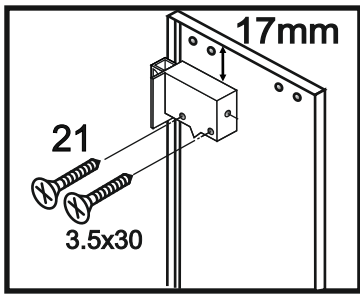




E X2

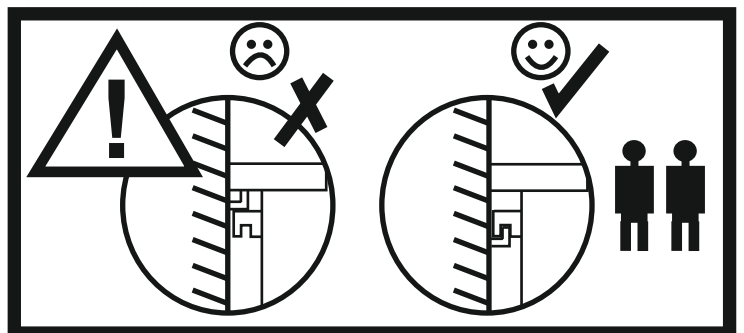
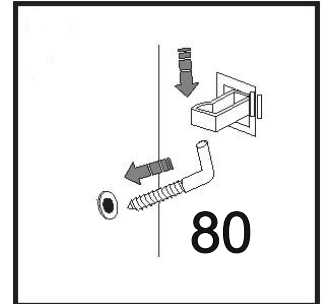
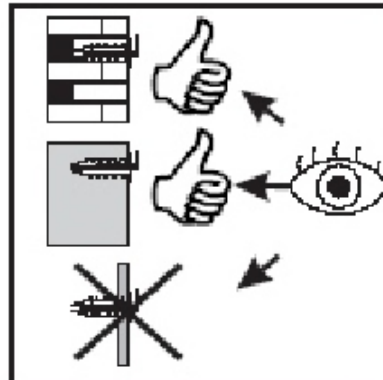
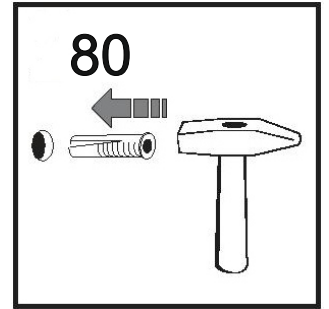
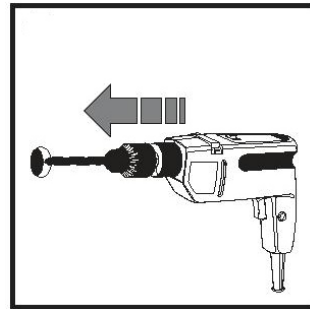
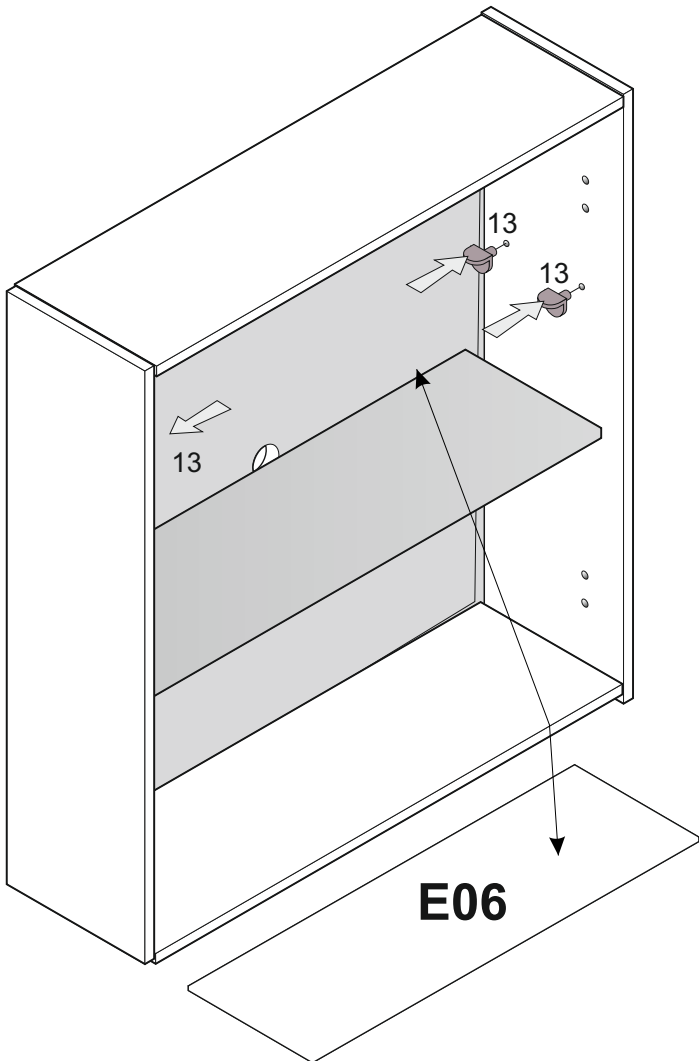
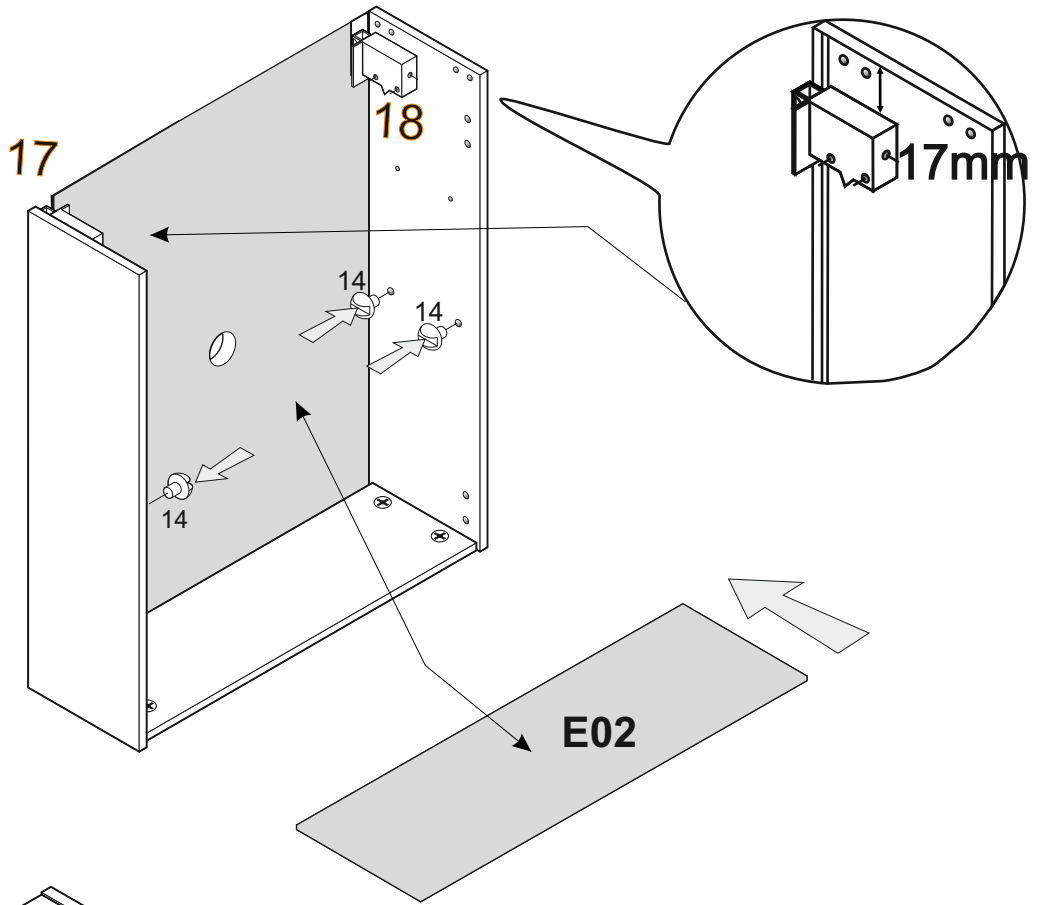
F X2

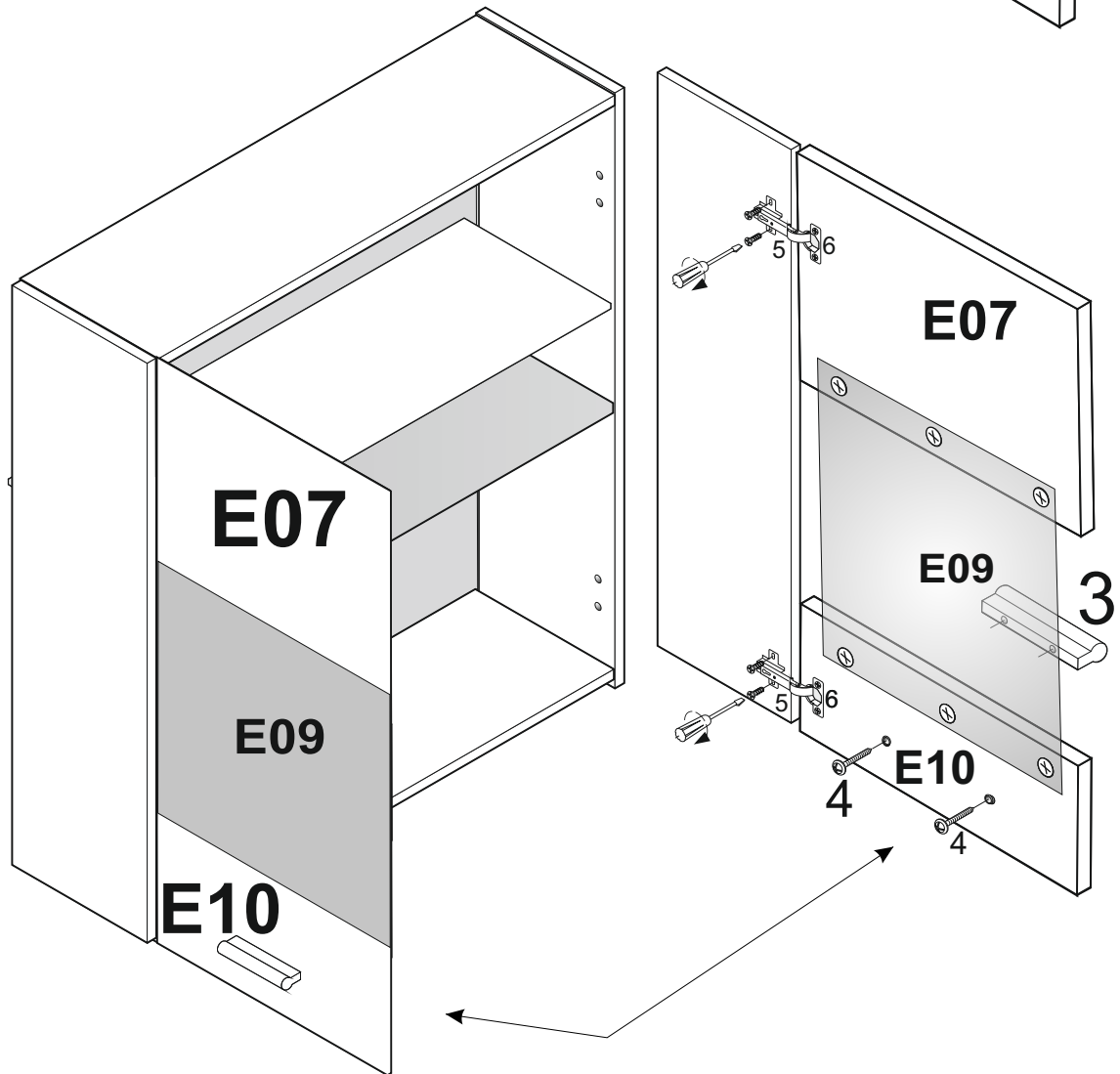
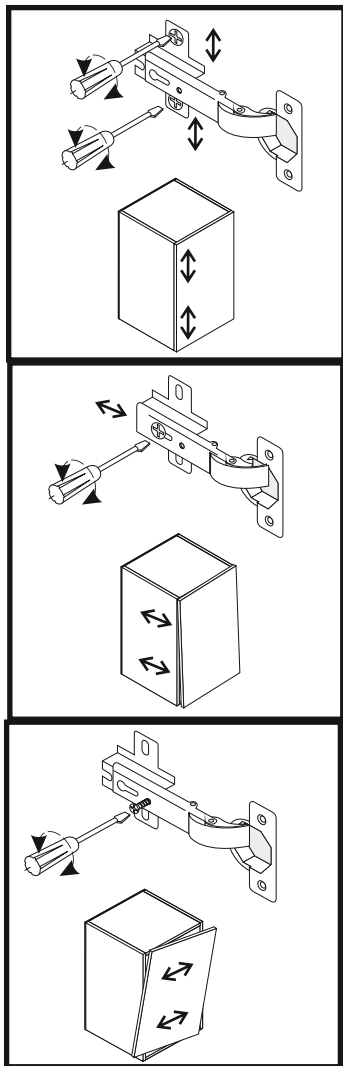
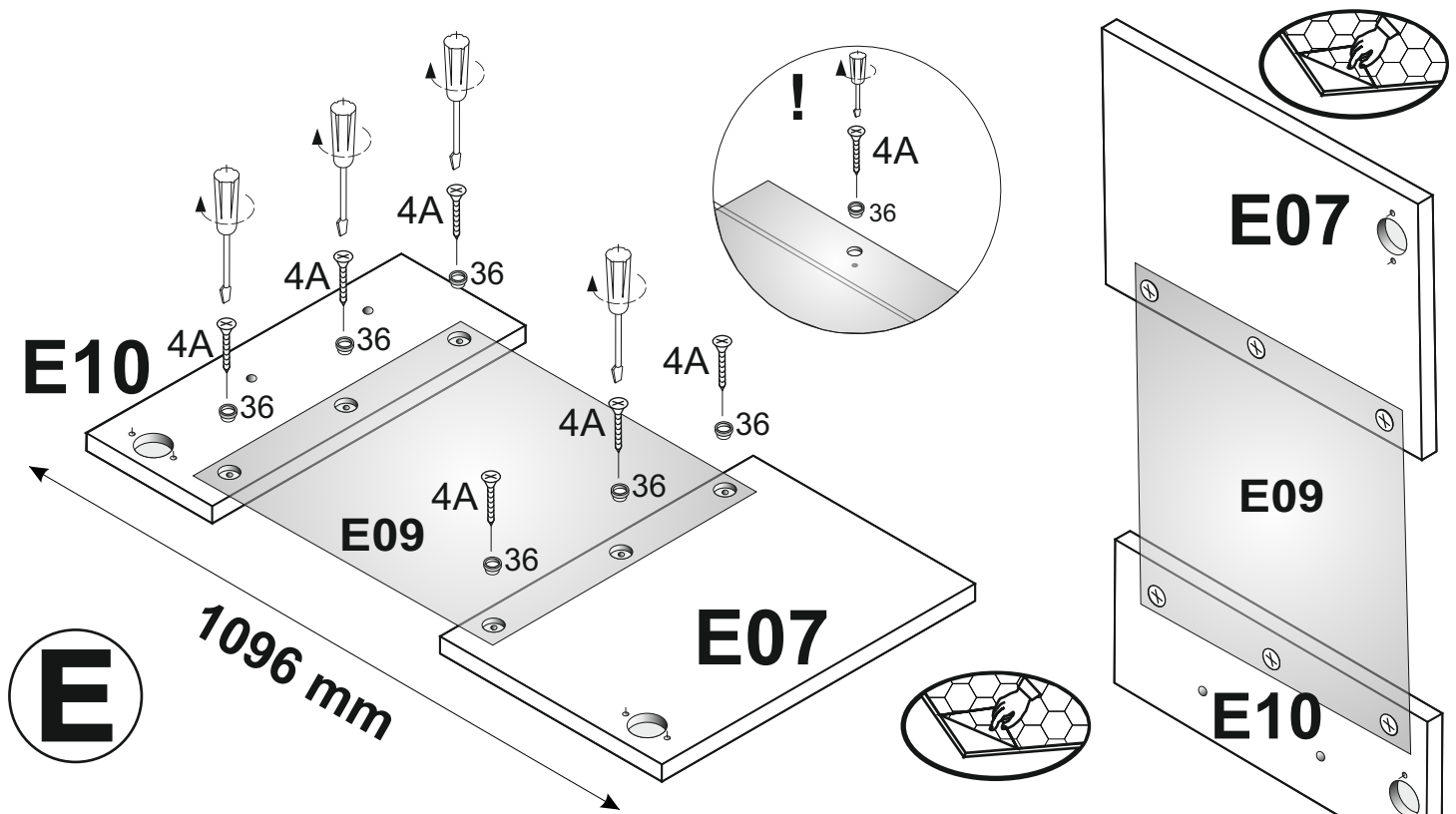


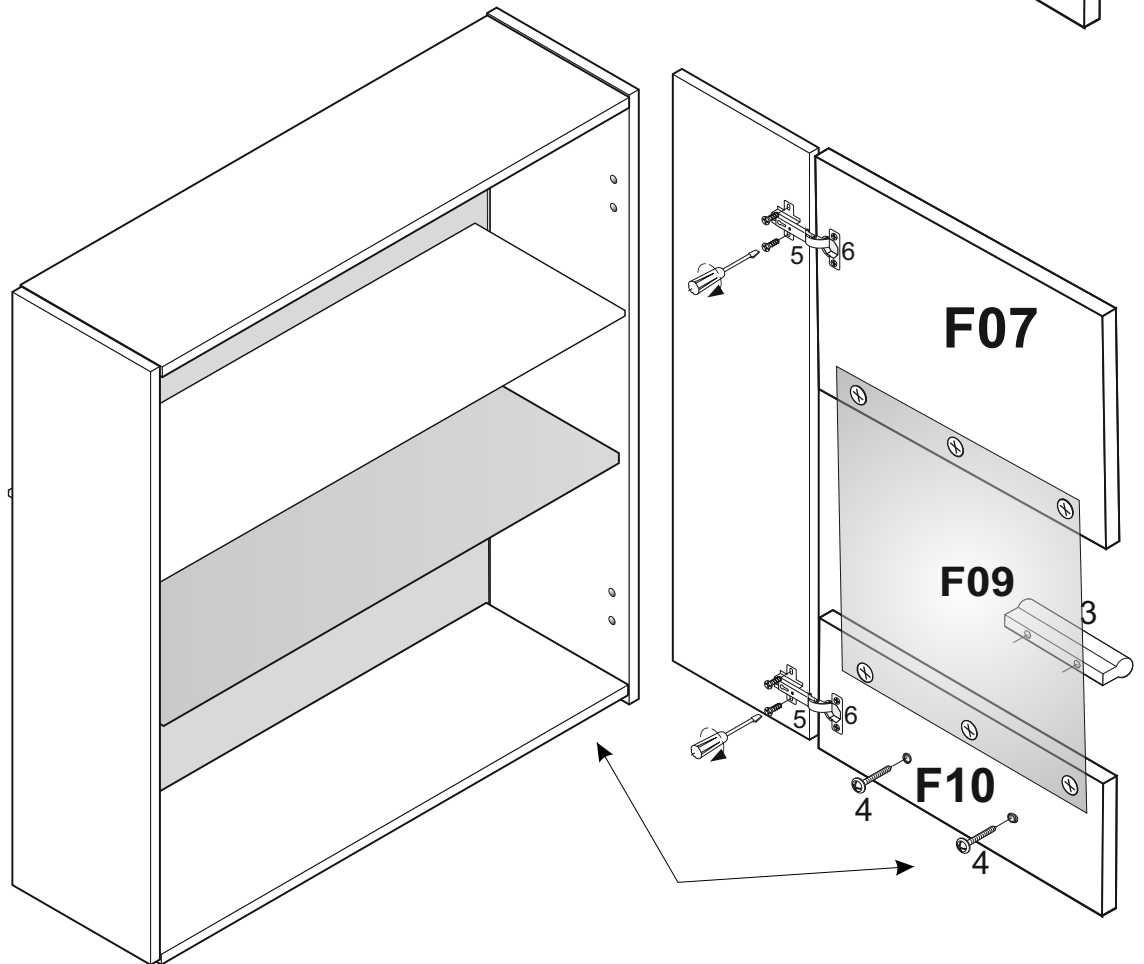
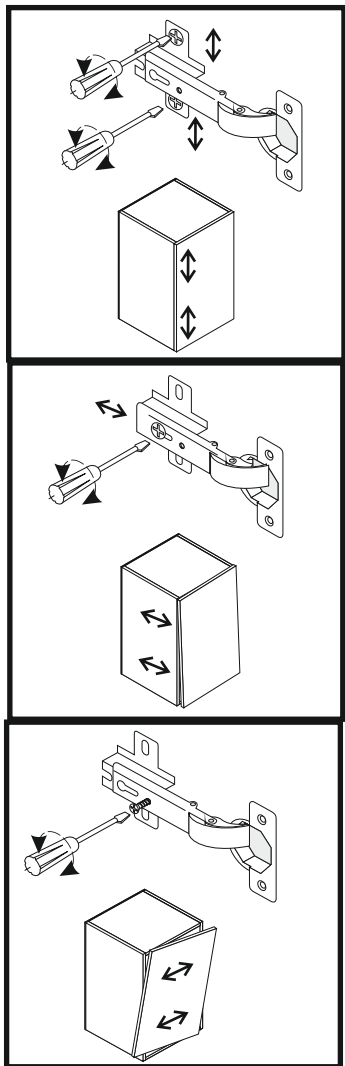
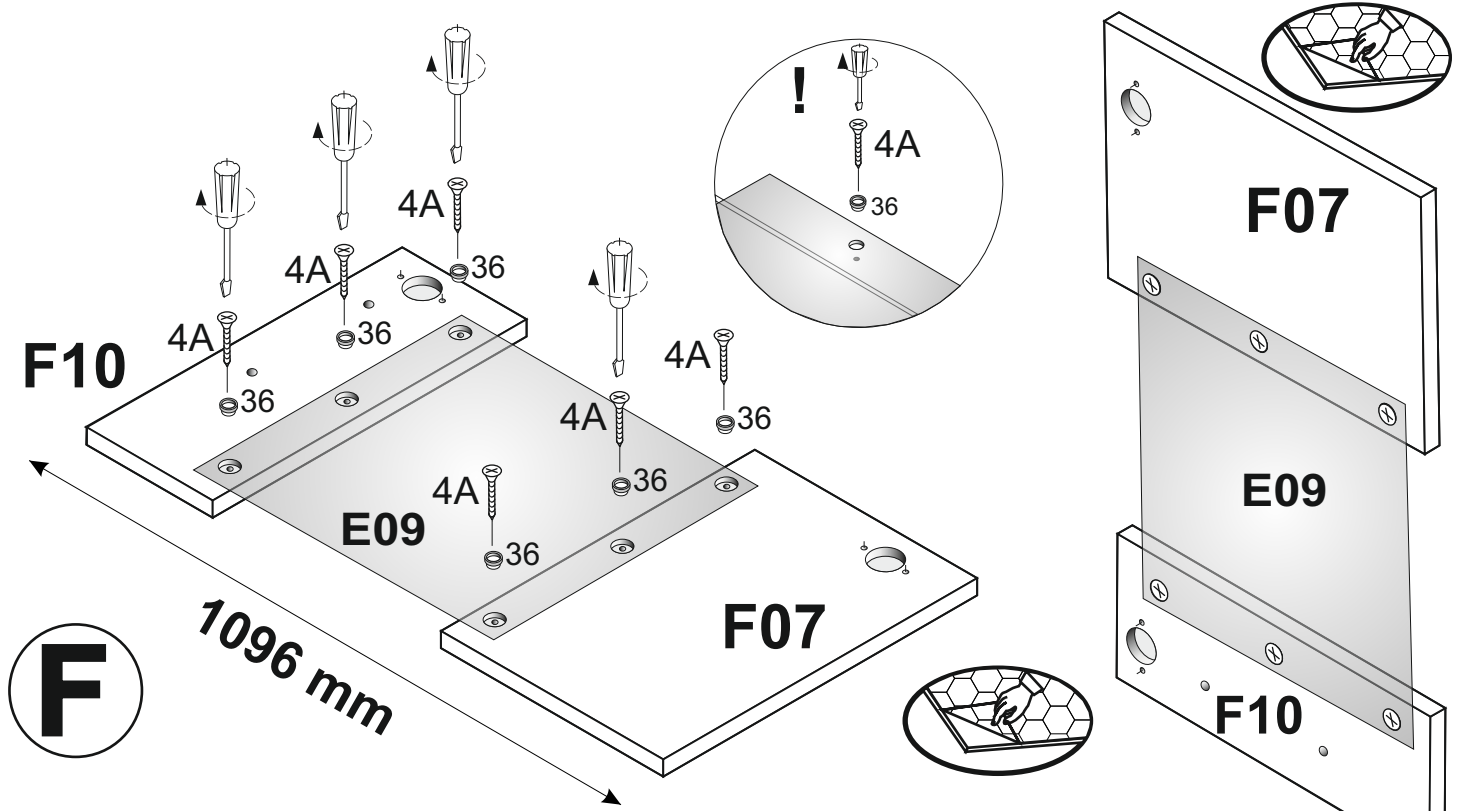


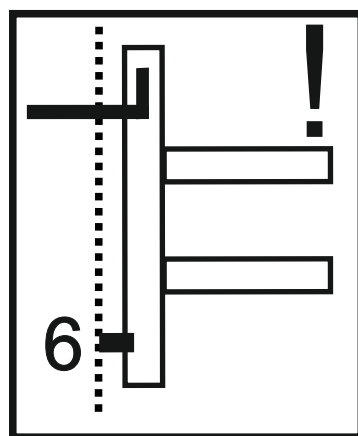
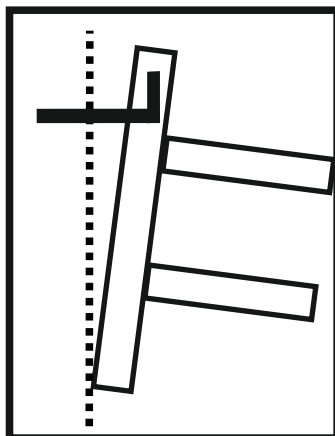
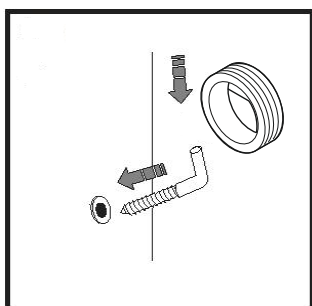
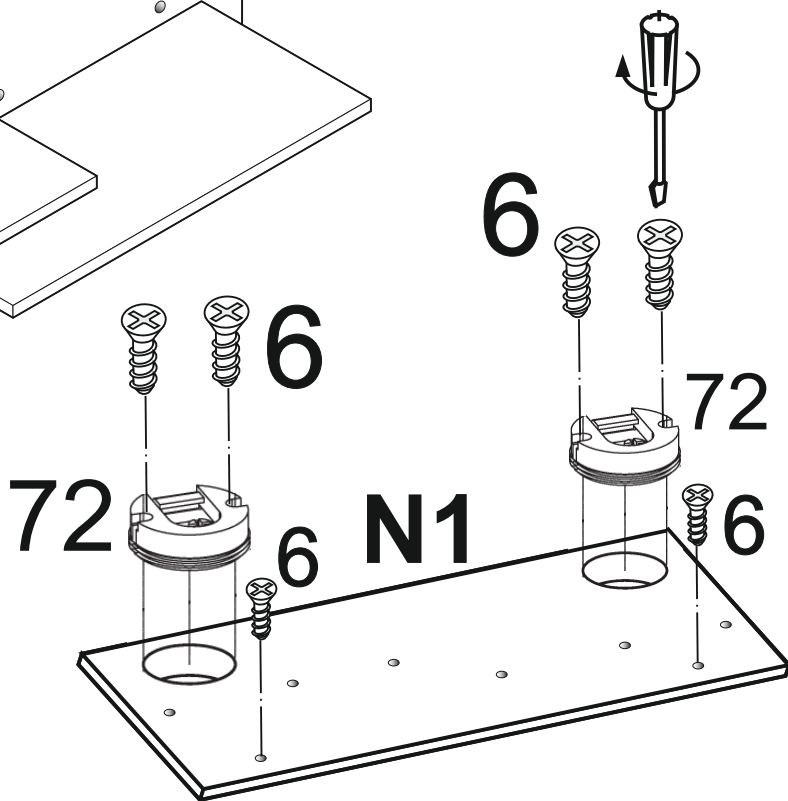
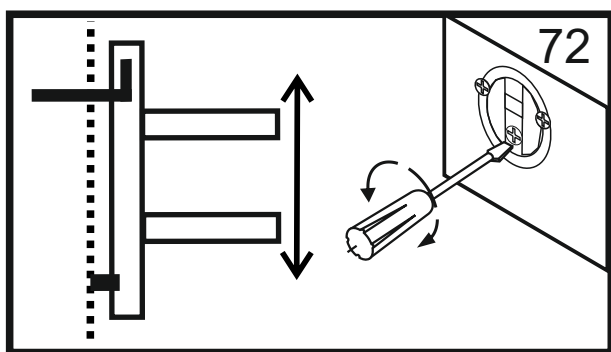
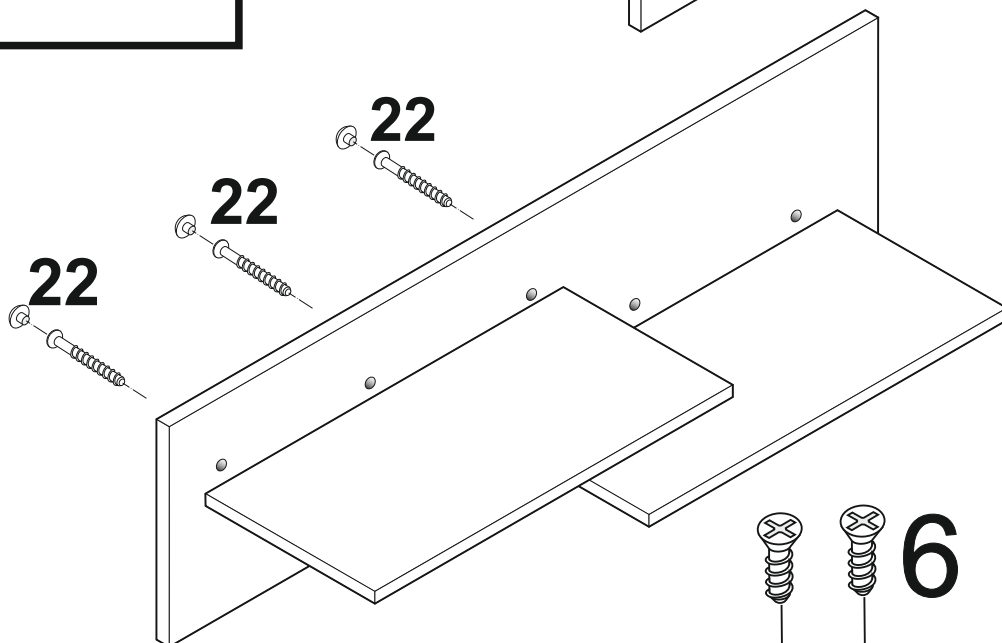
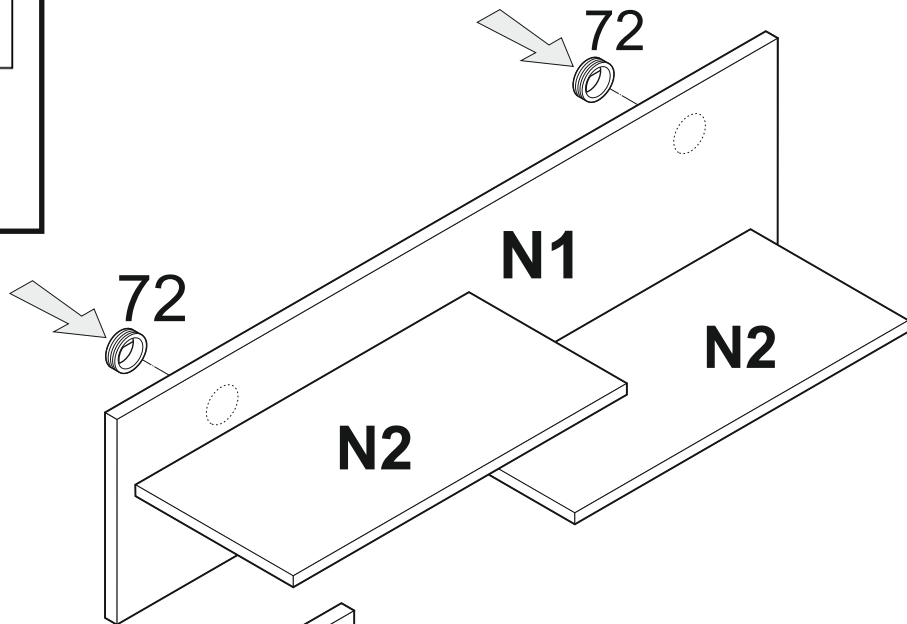
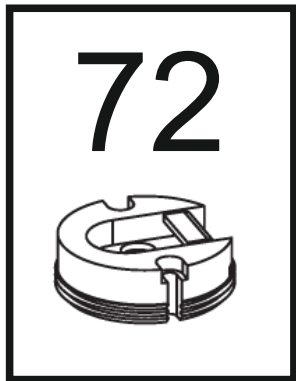
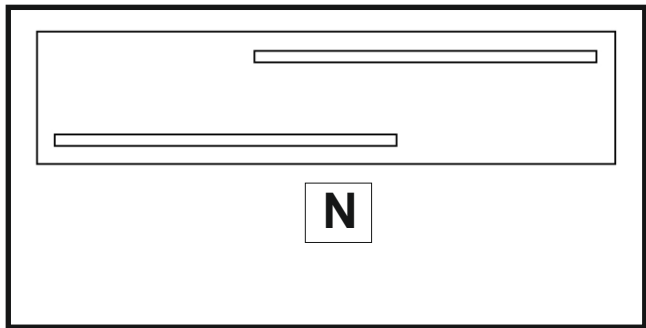
E X2

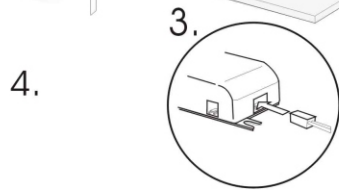
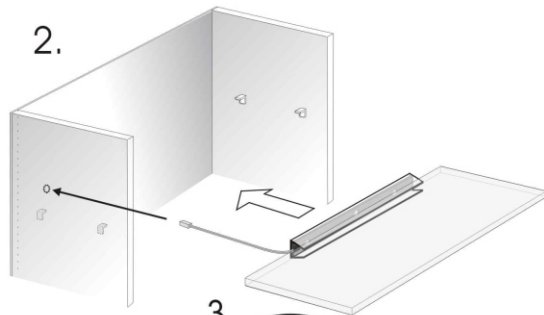
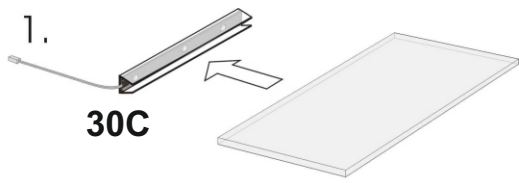
F X2











4.

